



# TOMOS NITRO 125

## SPARE PARTS MANUAL



**Hidria**

Contents

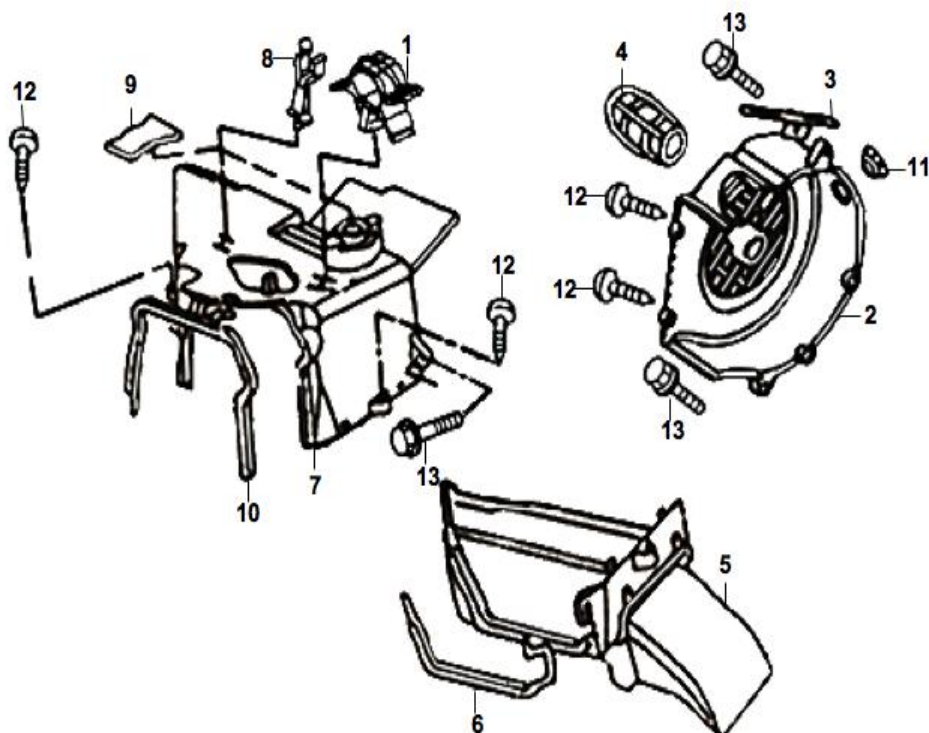
FUN COVER ENGINE SHROUD ASSY .....	5
CYLINDER HEAD, IN PIPE ASSY .....	7
CHAM SHAFT .....	8
CAM. CHAIN, TEISSIONER LIFTER .....	9
CYLINDER.....	10
R. CRANK CASE COVER .....	11
MAGNETO .....	12
OIL PUMP .....	13
STARTER .....	14
L. CRANK CASE COVER.....	15
MOVABLE DRIVE FACE ASS'Y.....	16
DRIVEN PULLEY ASS'Y.....	17
TRANSMISSION CASE,DRIVE SHAFT .....	18
CRANK CASE .....	19
CRANK SHAFT .....	20
HEAD LIGHT .....	21
SPEEDO METER.....	22
CABLE, SWITCH,HANDLE LEVER .....	23
FRONT BRAKE MASTER CYLINDER.....	24
FRONT CALIPER ASSY.....	25
HANDLE PIPE, HANDLE COVER.....	26
FRONT COVER, FRONT INNER BOX.....	27
FLOOR PANEL, CENTER COVER.....	28
REAR GRIP .....	29
REAR BODY COVER.....	30
FRONT FORK STEERING STEM, FRONT CUSHION.....	31
FRONT WHEEL.....	32

## Nitro 125 Spare parts catalogue

REAR WHEEL.....	33
SEAT REAR GRIP.....	34
FUEL TANK.....	35
BATTERY, TOOL BOX.....	36
AIR CLEANER.....	37
EXHAUST MUFFLER .....	38
MAIN STAND, KICK STARTER ARM .....	39
TAIL LIGHT, RR. CUSHION.....	40
REAR FENDER, REAR INNER FENDER.....	41
WIRE HARNESS.....	42
FRAME BODY,ENGINE HANGER.....	43

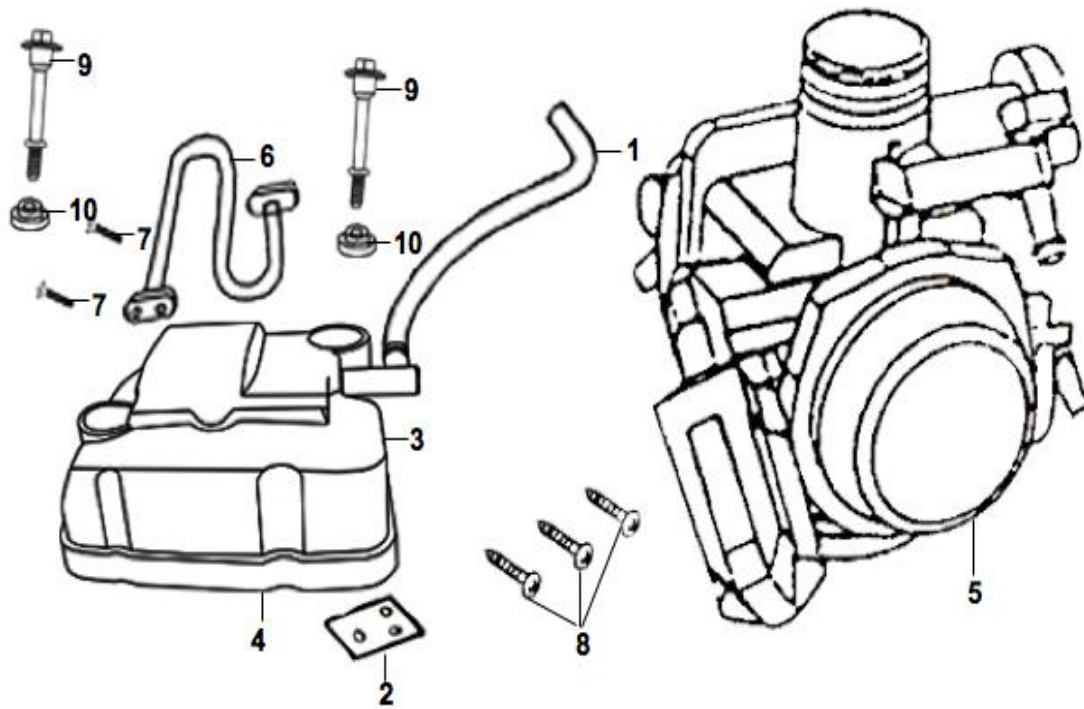
TYPE-MODEL	MODELS
<b>237505 NITRO 125</b> Vin-nr. is denominated from 4 to 11. nr. for EU directive	

## FUN COVER ENGINE SHROUD ASSY



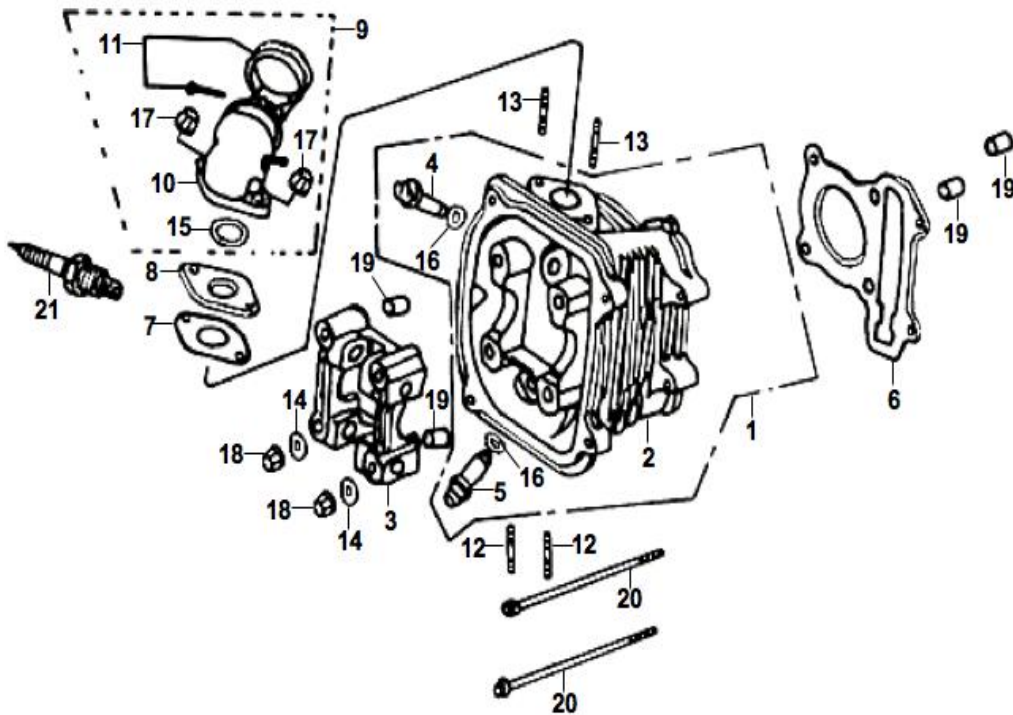
No.	Part No.	Denomination	Quantity
1	237523	Breather tube clamer	1
2	237524	Fan cover COMP	1
4	237525	Carburetor cooling duct	1
5	237526	Shroud A COMP	1
6	237527	Shroud A COMP	1
7	237528	Shroud B COMP	1
8	237529	High tension cord clip	1
9	237530	Shroud B grommet	1
10	237531	Shroud B seal	1
12	244003	Flange bolt	4
13	244430	SH Flange bolt	3
3	244600	Starter motor cord clamer	1
11	244604	Side panel grommet B	1

## CAM SHAFT,CYL. HEAD L. SIDE



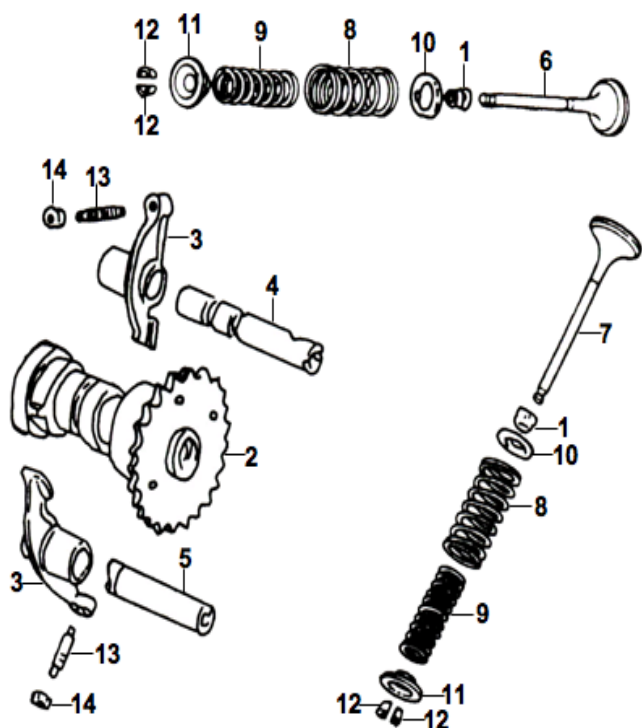
No.	Part No.	Denomination	Quantity
1	244606	Breather tube ASSY	1
2	237532	Breather cover	1
3	237533	Head cover COMP	1
4	237534	Head cover gasket	1
5	237535	Carburetor ASSY	1
6	244611	AI pipe	1
7	244507	Flange bolt M10X184	2
8	237536	Tapping screw 5x16	3
9	244430	Flange bolt M10X184	4
10	237537	A.I.C.V. unit	1
11	237538	A.I.C.V. stay	1
12	237539	A.I.C.V.-reed valve tube	1
13	237540	AICV tube(IN)	1

## CYLINDER HEAD, IN PIPE ASSY



No.	Part No.	Denomination	Quantity
1	237541	Cylinder head ASSY	1
2	237542	Cylinder head COMP	1
3	237543	Cam shaft holder	1
4	237544	IN. valve guide	1
5	237545	EX. valve guide	1
6	237546	Cylinder head gasket	1
7	237547	Carburetor Insulator gasket	1
8	237548	Carburetor Insulator	1
9	237549	IN. pipe ASSY	1
10	237550	IN. pipe COMP	1
11	237551	Insulator band	1
12	237552	Stud bolt 6x32	2
13	244632	Stud bolt 6x50	2
14	237553	Washer 8MM	4
15	244450	O-ring 27x2	1
16	244451	O-ring 9x1,6	2
17	244235	Washer	2
18	244452	Washer	4
19	244742	Dowel pin 10x16	4
20	244500	SH. flange bolt	2
21	244454	PLUG. spark(NGK CR7HSA)	1

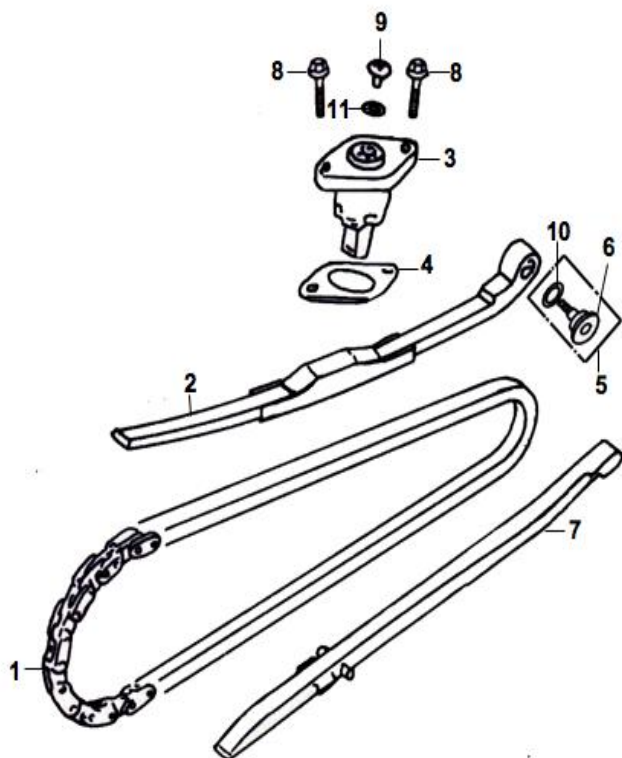
## CHAM SHAFT



No.	Part No.	Denomination	Quantity
1	244618	Valve stem seal	2
2	237554	Cam shaft COMP	1
3	237555	Valve rocker arm	2
4	237556	IN. rocker arm shaft COMP	1
5	237557	EX. rocker arm shaft COMP	1
6	237558	IN. valve	1
7	237559	EX. valve	1
8	244623	Valve outer spring	2
9	237561	Valve inner spring	2
10	244624	Valve spring retainer	2
11	244625	Valve spring seat outer	2
12	244626	Valve cotter	4
13	244645	Tappet adjusting screw	2
14	244646	Tappet adjusting nut	2

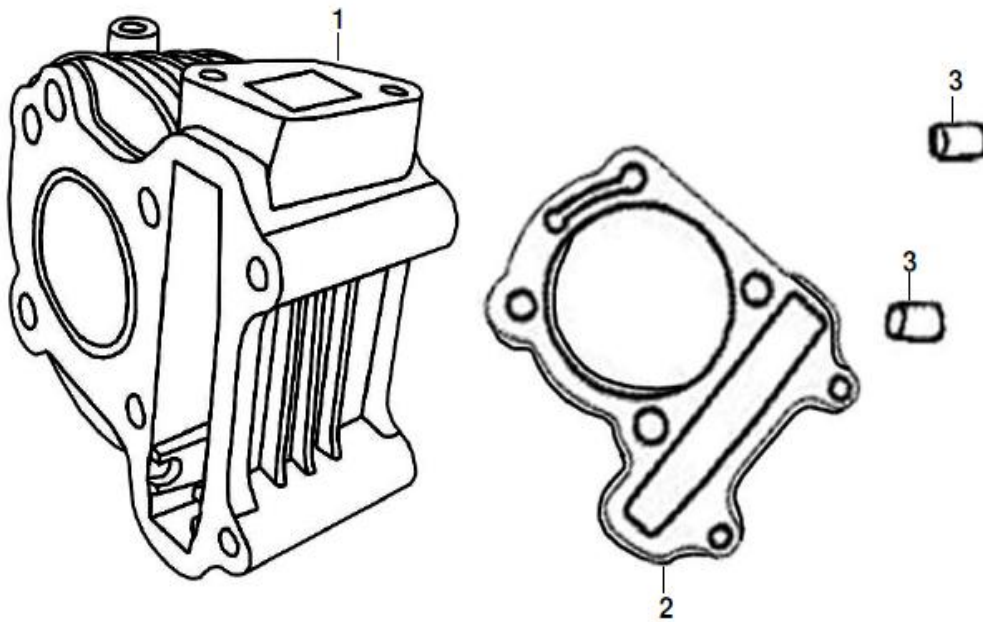


## CAM. CHAIN, TEISSIONER LIFTER



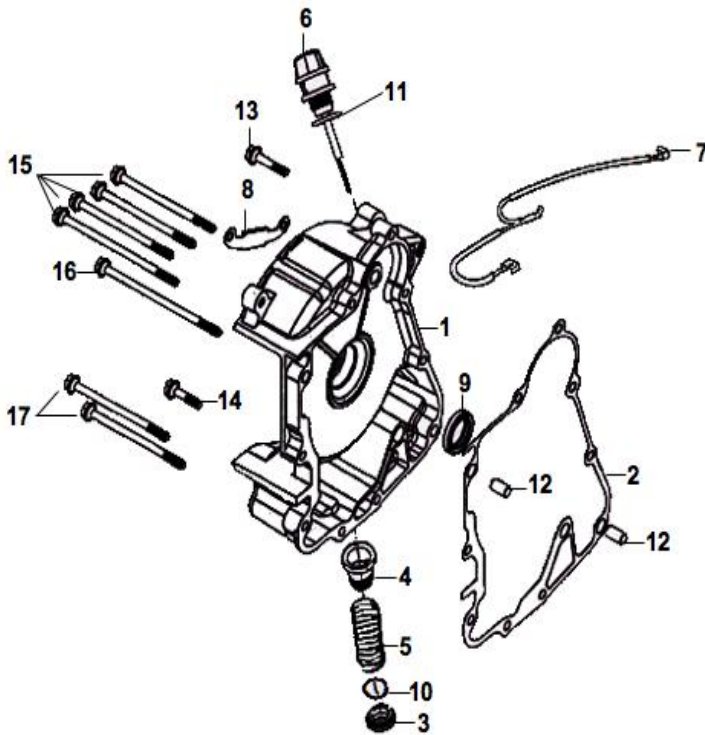
No.	Part No.	Denomination	Quantity
1	237562	Cam chain	1
2	237563	Cam chain tensioner	1
3	237564	Tensioner lifter ASSY	1
4	237565	Tensioner lifter gasket	1
5	244651	Tensioner pivot ASSY	1
6	244652	Tensioner pivot	1
7	237567	Cam chain guide COMP	1
8	237568	SH. flange bolt 6x22	2
9	237569	Pan screw 6x6	1
10	244654	O-Ring 15.5x1.5	1
11	237570	O-Ring 9.5x1.5	1

## CYLINDER



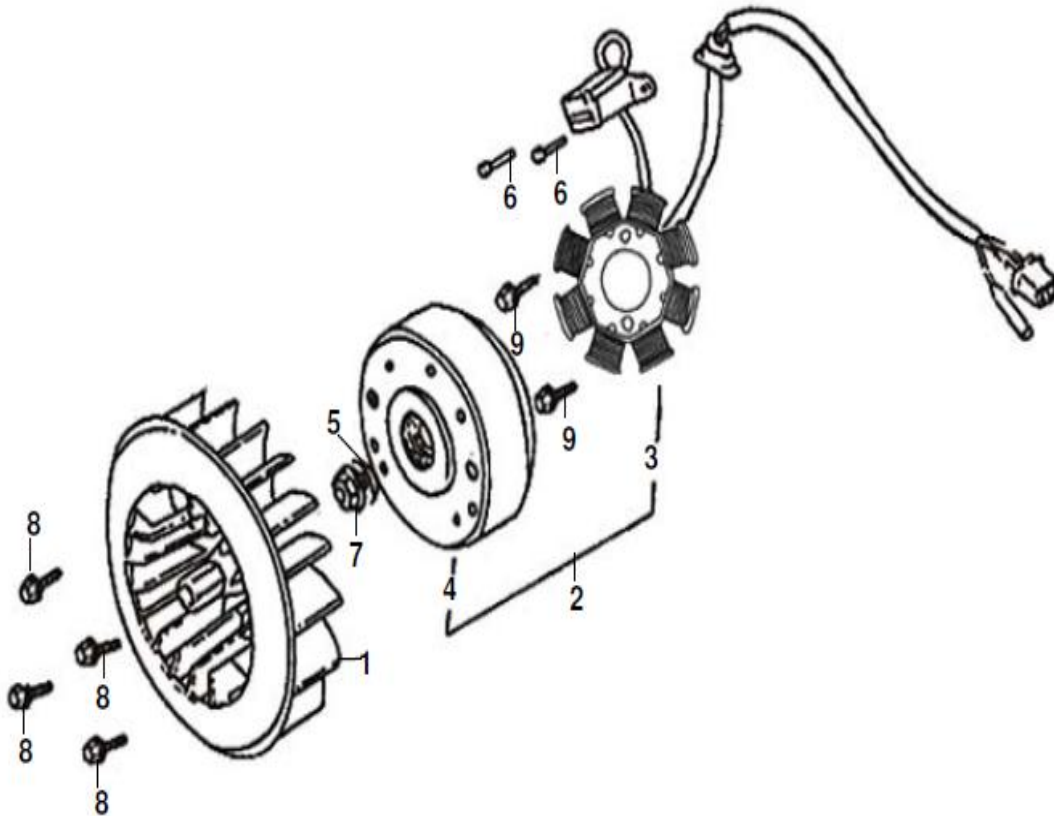
No.	Part No.	Denomination	Quantity
1	237571	Cylinder	1
2	237572	Cylinder gasket	1
3	244742	Dowel pin 10x16	2

## R. CRANK CASE COVER



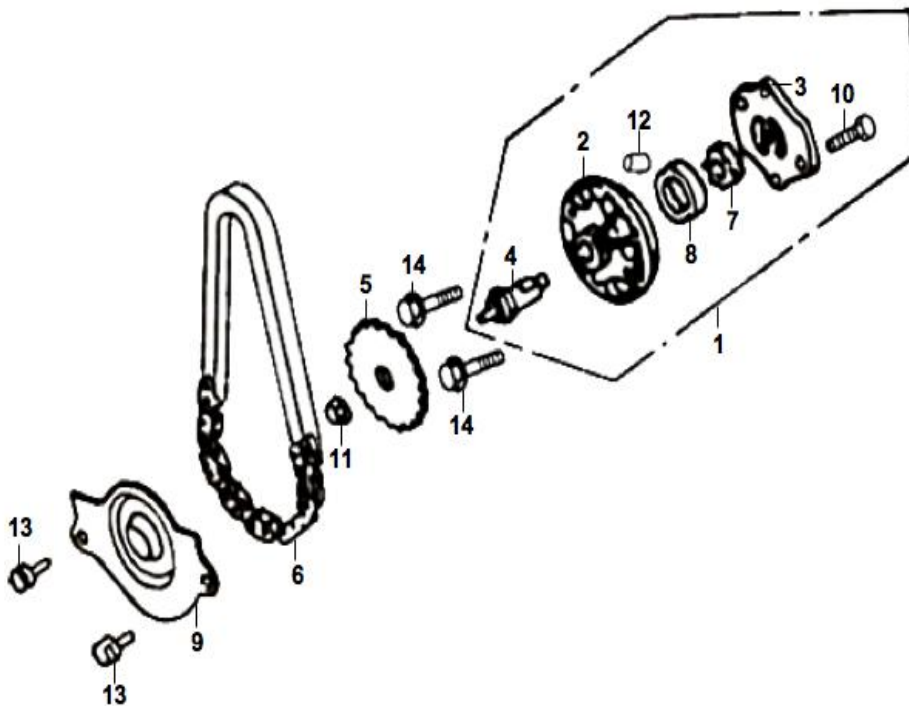
No.	Part No.	Denomination	Quantity
1	237573	R. crank case cover	1
2	237574	R. crank case cover gasket	1
3	237575	Tappet adjust hole cap	1
4	244660	Oil filter screen	1
5	244661	Oil filter screen spring	1
6	244662	Oil level gauge ASSY	1
7	237579	Earth cable B	1
8	237580	ACG. cord clamer	1
9	244756	Oil seal 19.8x30x5	1
10	237582	O-Ring 30.8MM	1
11	244665	O-Ring 18x3	1
12	244051	Dowel pin 8x14	2
13	237583	SH. flange bolt 6x32	1
14	244689	SH. flange bolt 6x40	1
15	244453	SH. flange bolt	4
16	244500	SH. flange bolt	1
17	237584	SH. flange bolt 6x110	2

## MAGNETO



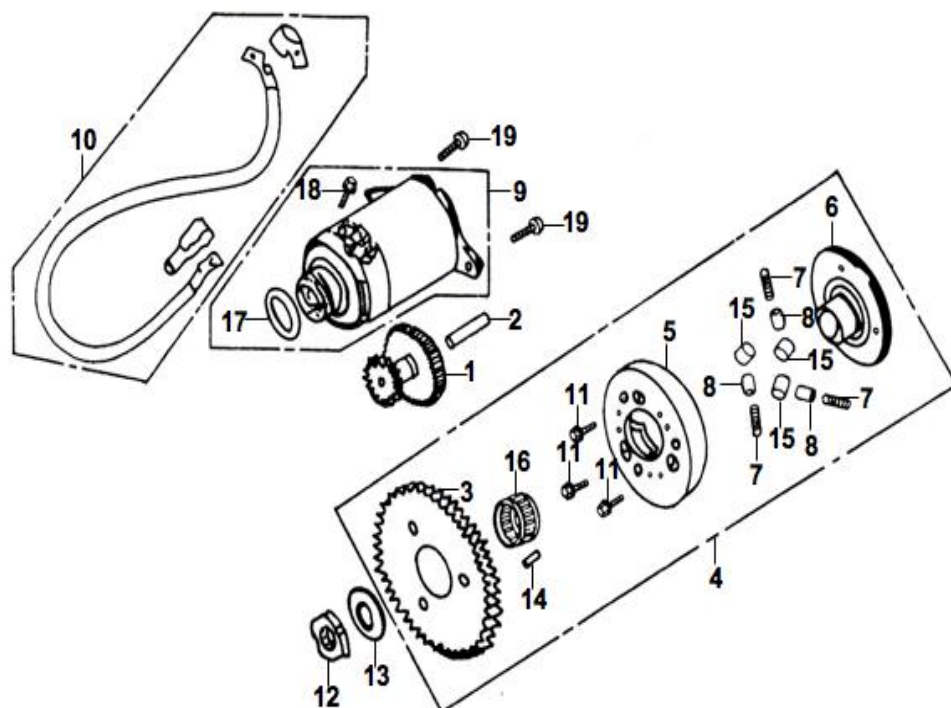
No.	Part No.	Denomination	Quantity
1	237585	Cooling fan COMP	1
2	237586	A. C. G. ASSY (CDI)	1
3	237587	A. C. G. stator	1
4	237588	A. C. G. flywheel	1
5	237589	Plain washer 12MM	1
6	244507	Flange bolt M5X12	2
7	237590	Flange nut 12MM	1
8	244508	Flange bolt M6X16	4
9	244360	SH. flange bolt	2

## OIL PUMP



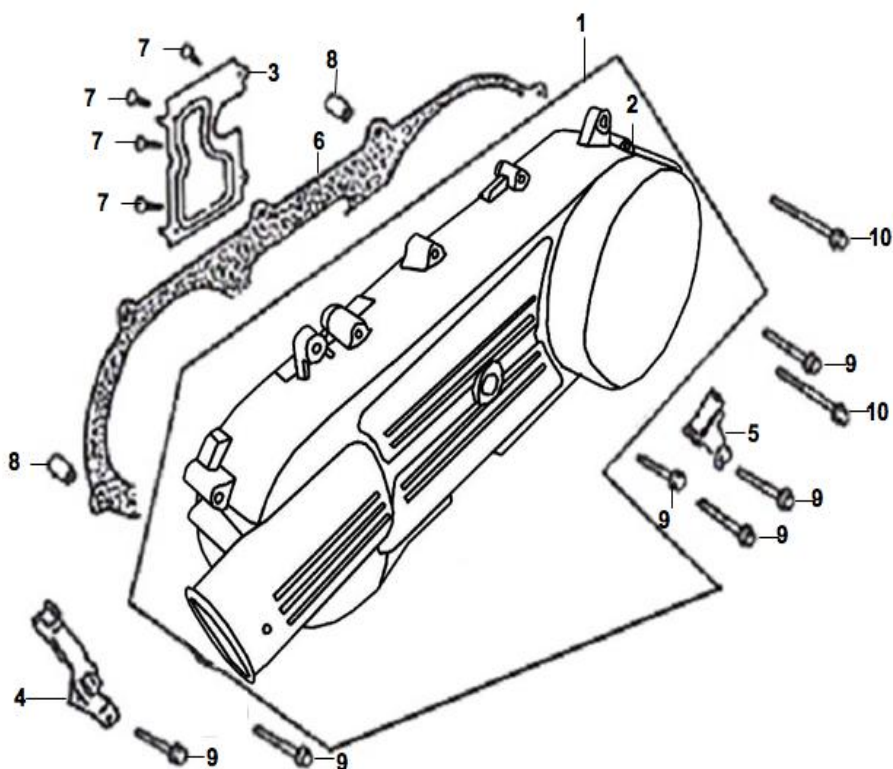
No.	Part No.	Denomination	Quantity
1	237591	Oil pump ASSY	1
2	237592	Oil pump body	1
3	237593	Oil pump plate	1
4	237594	Oil pump shaft	1
5	237595	Oil pump driven sprocket	1
6	237596	Oil pump chain	1
7	237597	Oil pump inner rotor	1
8	237598	Oil pump outer rotor	1
9	237599	Oil separator	1
10	244985	Pan screw 3x10	1
11	244235	Flange nut M6	1
12	237600	Dowel pin 4x6.5	1
13	237601	SH. flange bolt 6x12	2
14	244430	SH. flange bolt 6x25	2

## STARTER



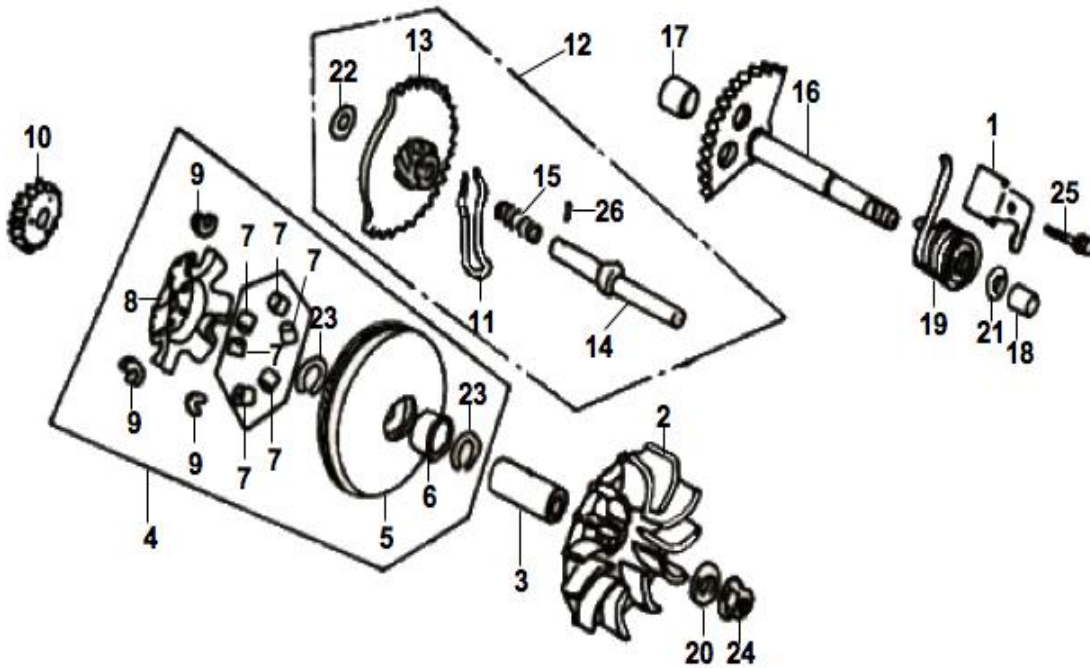
No.	Part No.	Denomination	Quantity
1	237602	Starter reduction gear	1
2	237603	Start. red. gear shaft	1
3	237604	Start gear clutch	1
4	237605	Starting clutch outer COMP.	1
5	237606	Starting clutch outer	1
6	237607	Starting clutch flange COMP.	1
7	237608	Clutch spring	3
8	237609	Clutch side plate	3
9	237610	Starter	1
10	237611	Starter wiring	1
11	237612	Flange bolt	3
12	237613	Lock nut 22MM	1
13	237614	Thrust washer 22.2*31*1.5	1
14	237615	Dowel pin	1
15	237616	Roller 10×10	3
16	237617	Needle bearing 28X32X17	1
17	237618	O-ring 24,4x3,1	1
19	244468	Bolt SH M6x16	1
18	244683	Bolt M5x8	2

## L. CRANK CASE COVER



No.	Part No.	Denomination	Quantity
1	237619	L. cover ASSY	1
2	237620	L. crank case cover	1
3	237621	L. cover plate	1
4	244686	Throttle cable clammer	1
5	237623	Brake cable clammer	1
6	237624	L cover gasket	1
7	237536	Flange bolt	4
8	244051	Dowel pin 8*14	2
9	244689	SH. flange bolt 6x40	6
10	237626	SH. flange bolt 6x65	2

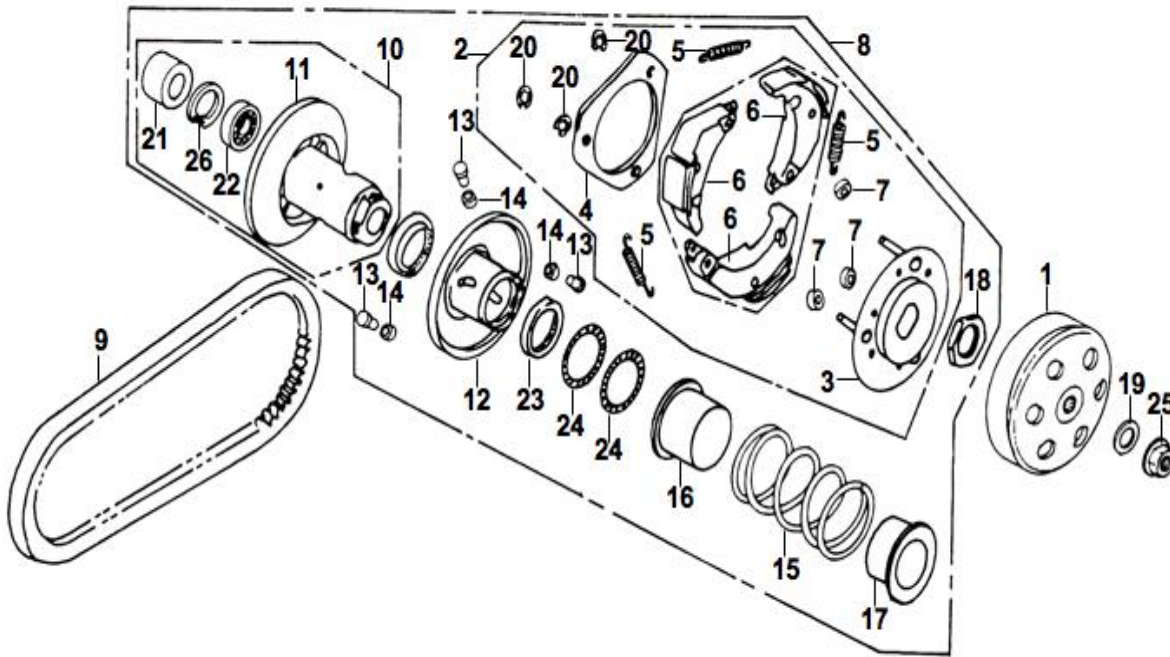
## MOVABLE DRIVE FACE ASS'Y



No.	Part No.	Denomination	Quantity
1	237627	Kick return stopper plate	1
2	237628	Drive face	1
3	237629	Drive face boss	1
4	237630	Movable drive face ASSY	1
5	237631	Movable drive face COMP	1
6	237632	Bush 24x28x30	1
7	237633	Weight roller COMP	6
8	237634	Ramp plate	1
9	237635	Slide piece	3
10	237636	Dick starter driven gear	1
11	237637	Starter gear friction spring	1
12	237638	Starter idle gear ASSY	1
13	237639	Starter idle gear COMP	1
14	237640	Starter idle shaft	1
15	237641	Starter idle spring	1
16	237642	Kick starter spindle COMP	1
17	237643	Kick spindle bush	1
18	244519	Flange bolt M10X184	1
19	237645	Kick starter spring	1
20	237646	Plain washer 12.2X29X2.5	1
21	237647	Washer 14.2x21x1	1
22	237648	Washer 12.5MM	1
23	237649	Clip 28MM	2
24	237590	Flange nut 12MM	1
25	237650	SH. flange bolt 6x14	1
26	237651	Roller 3x8.5	1

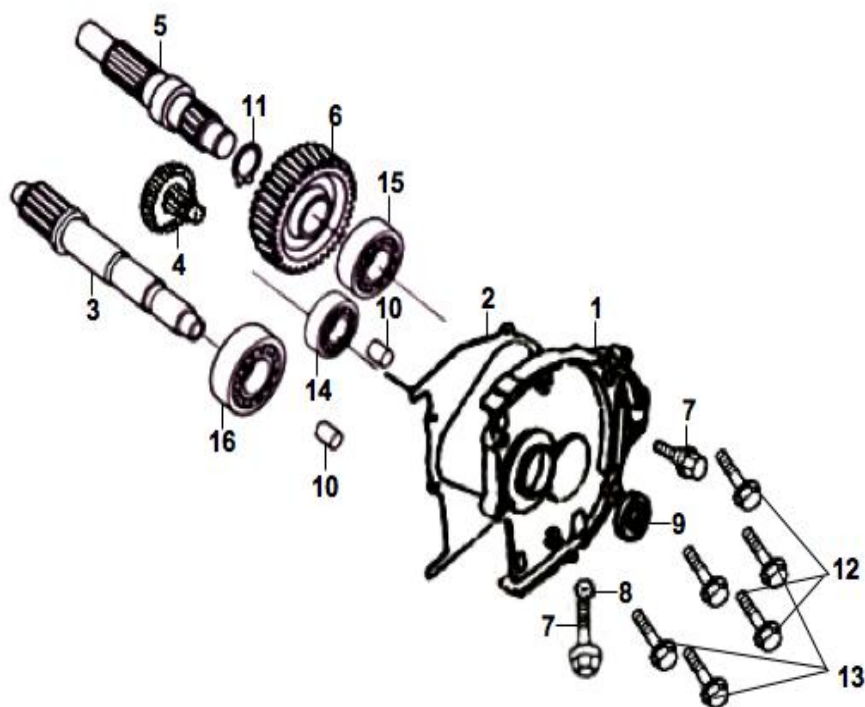


## DRIVEN PULLEY ASS'Y



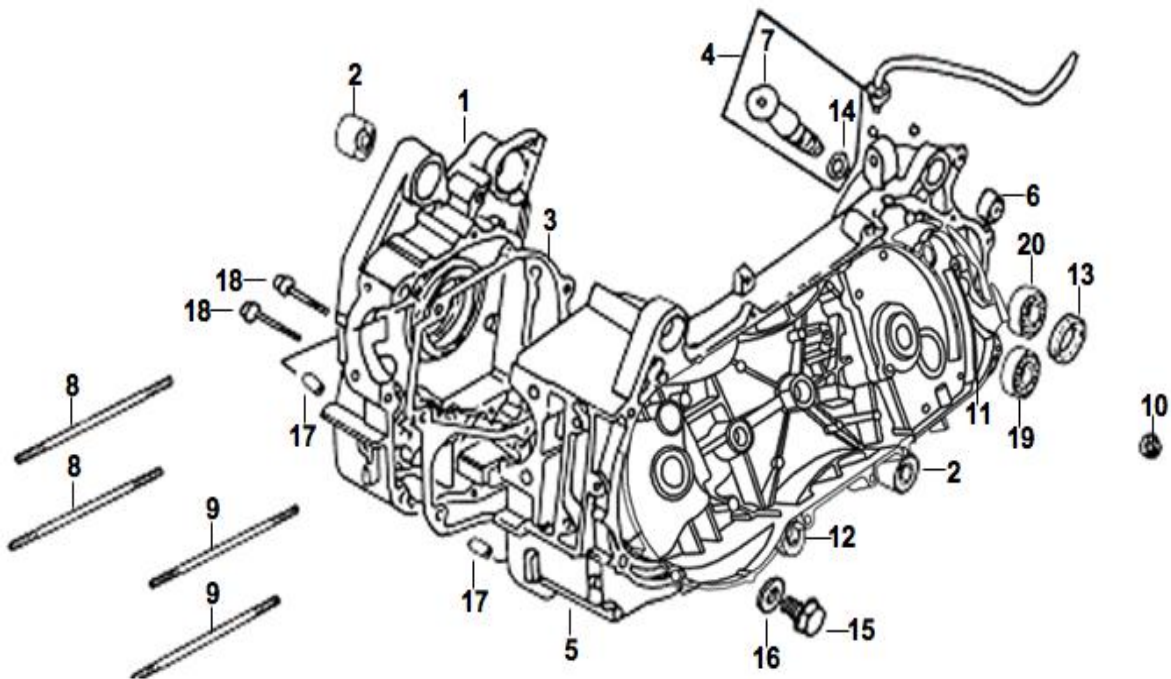
No.	Part No.	Denomination	Quantity
1	237652	Clutch outer	1
2	237653	Drive plate ASSY	1
3	237654	Drive plate COMP	1
4	237655	Clutch side plate	1
5	237656	Clutch spring	3
6	237657	Clutch weight COMP	3
7	237658	Clutch damper rubber	3
8	237659	Driven pulley ASSY	1
9	237660	Drive belt	1
10	237661	Driven face ASSY	1
11	237662	Driven face COMP	1
12	237663	Movable driven face COMP	1
13	237664	Roller guide pin	3
14	237665	Guide roller	3
15	237666	Driven face spring	1
16	237667	Seal collar	1
17	237668	Spring collar	1
18	237669	Special nut 28MM	1
19	237646	Plain washer 12.2X29X2.5	1
20	237670	Cir clip 7MM	3
21	237671	Needle bearing 20X29X18	1
22	237672	Radial ball bearing 6902U	1
23	237673	O-Ring 27x2	2
24	237674	O-Ring 38.8x1.9	2
25	237590	Flange nut 12MM	1
26	237675	Cir clip 28MM	1

## TRANSMISSION CASE,DRIVE SHAFT



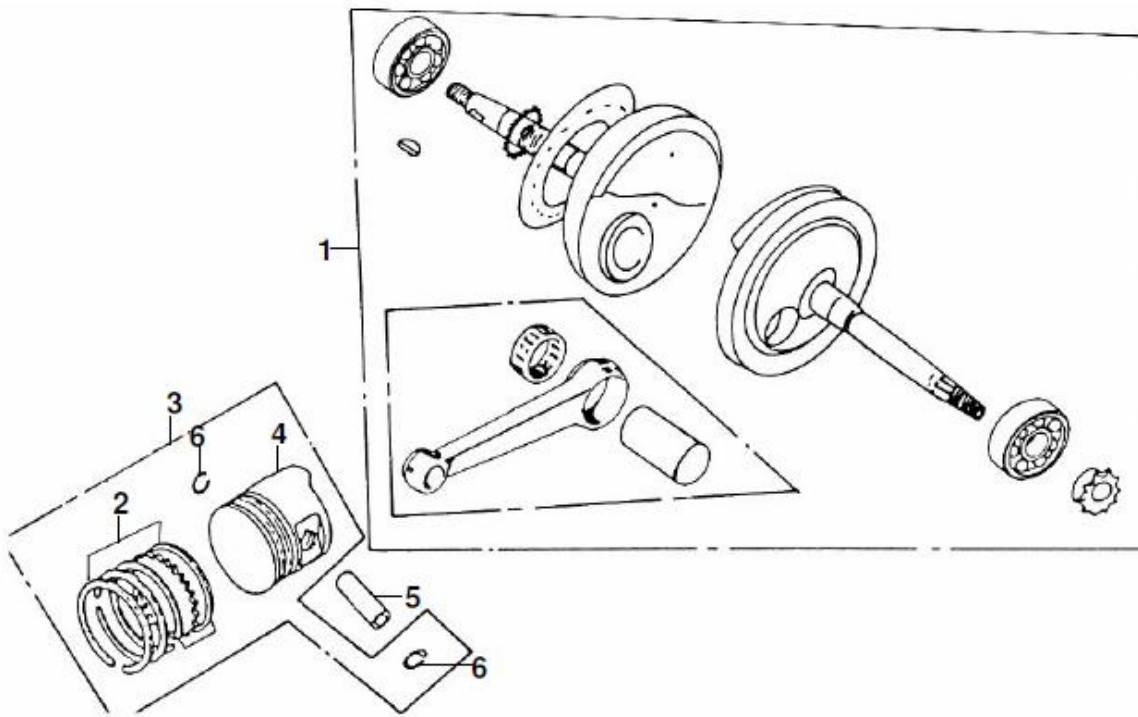
No.	Part No.	Denomination	Quantity
1	237676	Mission cover	1
2	237677	Mission cover gasket	1
3	237678	Drive shaft	1
4	237679	Counter shaft COMP	1
5	237680	Final shaft	1
6	237681	Final gear COMP	1
7	244738	Special bolt 8MM	2
8	244739	Washer 8MM	1
9	237682	Oil seal 20x32x6	1
10	244051	Dowel pin 8*14	2
11	244743	EX. cir clip 20MM	1
12	244509	SH. flange bolt 6*28	3
13	244690	SH. flange bolt 6x35	3
14	237683	Radial ball bearing 6202	1
15	237684	Radial ball bearing 6203	1
16	237685	Radial ball bearing 6204	1

## CRANK CASE



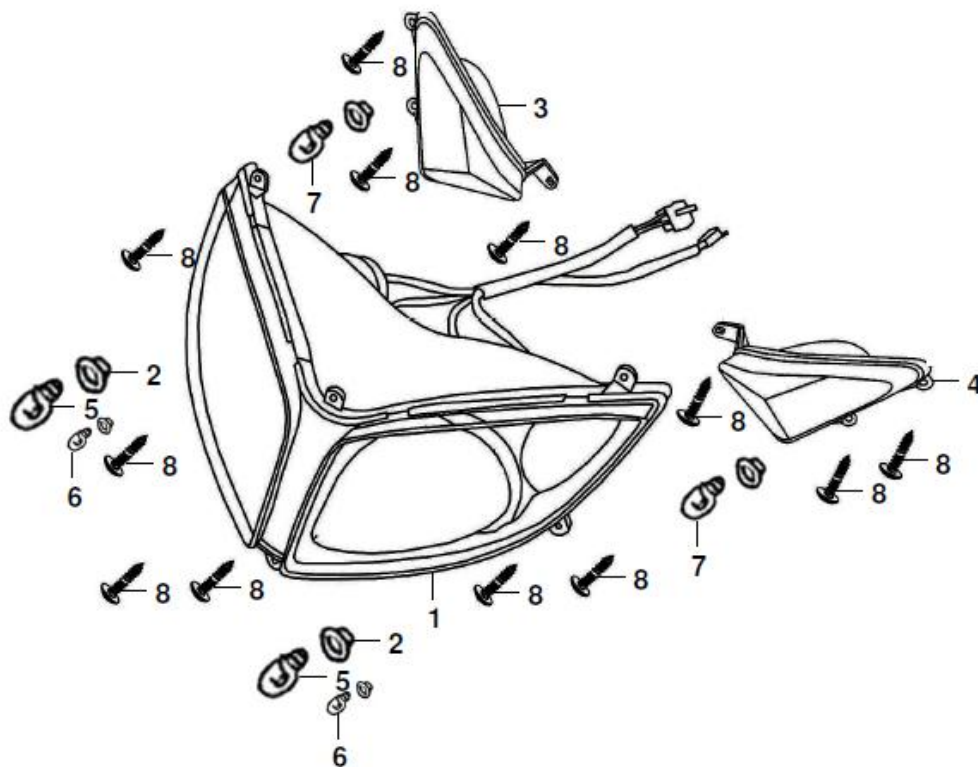
No.	Part No.	Denomination	Quantity
1	237686	R. crank case	1
2	237687	Engine hanger rubber bush	2
3	237688	Crank case gasket	1
4	237689	Brake shoe anchor pin ASSY	1
5	237690	L. crank case COMP	1
6	244753	RR. cushion under rubber bush	1
7	244731	Brake shoe anchor pin	1
8	237691	Cylinder stud bolt A 8x187.5	2
9	237692	Cylinder stud bolt B 8x195.5	2
10	237693	Flange nut 8MM	1
11	237694	Radial ball bearing 6301 TMB	1
12	244756	Oil seal 19.8x30x5	1
13	244757	Woodruff key 25x14x4	1
14	244741	O-Ring 7.5x1.5	1
15	244148	Drain plug bolt 12MM	1
16	244149	Plug drain washer 12mm	1
17	244051	Dowel pin 8*14	2
18	244758	SH. flange bolt 6x50	2
19	237696	Radial ball bearing 6002	1
20	237697	Radial ball bearing 6004 UU	1

## CRANK SHAFT



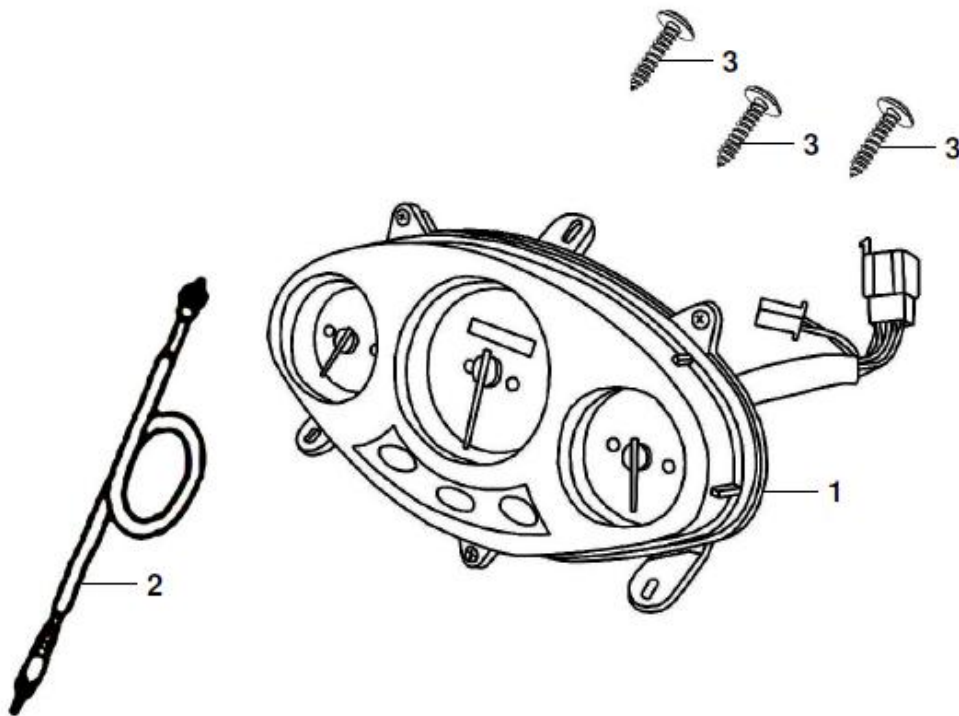
No.	Part No.	Denomination	Quantity
1	237698	Crank shaft COMP	1
2	237699	Piston ring set	1
3	237700	Piston ASSY	1
4	237701	Piston	1
5	237702	Piston pin	1
6	244557	Flange bolt M10X184	2

## HEAD LIGHT



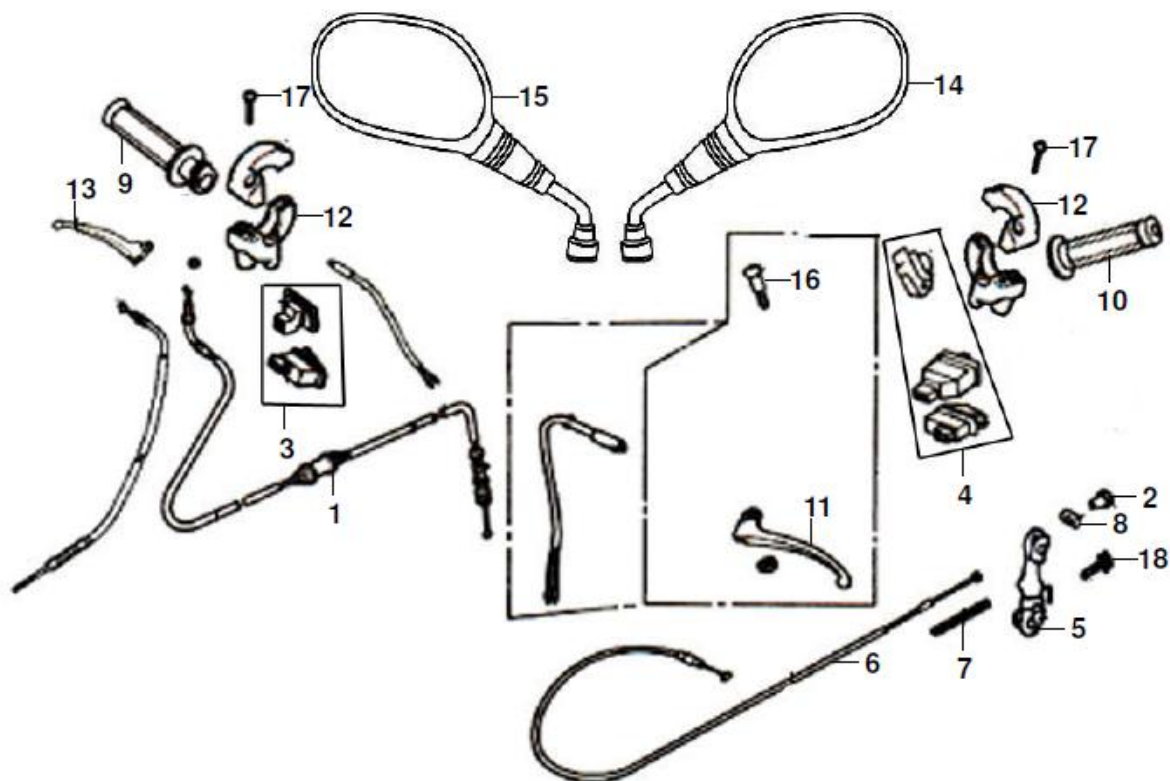
No.	Part No.	Denomination	Quantity
1	244779	Head light ASSY	1
2	244780	Head light socket COMP	2
3	244781	L. FR. winker ASS'Y	1
4	244782	L. FR. winker ASS'Y	1
5	244783	Head light bulb	2
6	244784	FR. positin light bulb	2
7	244785	Winker light bulb	2
8	244786	Tapping screw 4.2X12	12

## SPEEDO METER



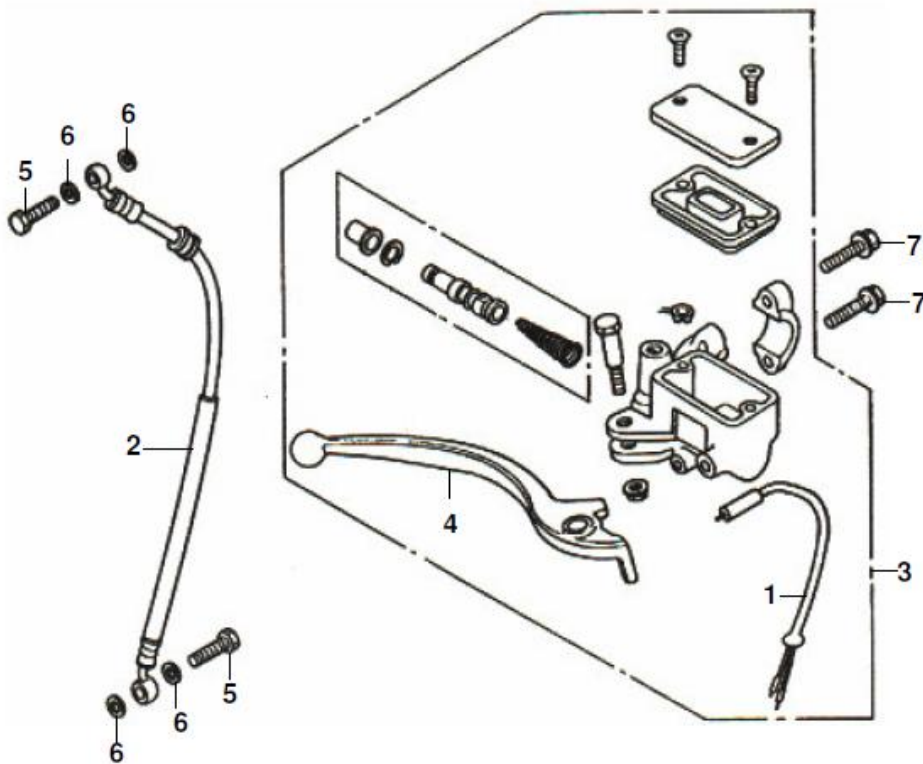
No.	Part No.	Denomination	Quantity
1	237706	Speedometer ASSY	1
2	244788	Speedometer cable	1
3	244786	Tapping screw 4.2X12	3

## CABLE, SWITCH, HANDLE LEVER



No.	Part No.	Denomination	Quantity
1	237707	Throttle cable COMP	1
2	244790	Cable end cover	1
3	244791	R.HNDL.SW.ASSY	1
4	244792	L.HNDL.SW.ASSY	1
5	237708	RR. brake arm cover	1
6	244794	RR. Brake cable COMP	1
7	237709	RR. brake arm return spring	1
8	244796	BRK. cable cap boot	1
9	244797	R. Handle grip	1
10	244798	L. Handle grip	1
11	244799	L. Steering handle lever	1
12	244800	Throttle under housing	2
13	244801	R. Steering handle lever	1
14	237710	R. Back mirror ASSY	1
15	237711	L. Back mirror ASSY	1
16	244804	Oil bolt 10X22	1
17	237712	Pan screw M5x25	4
18	237713	Flange bolt M6x32	1

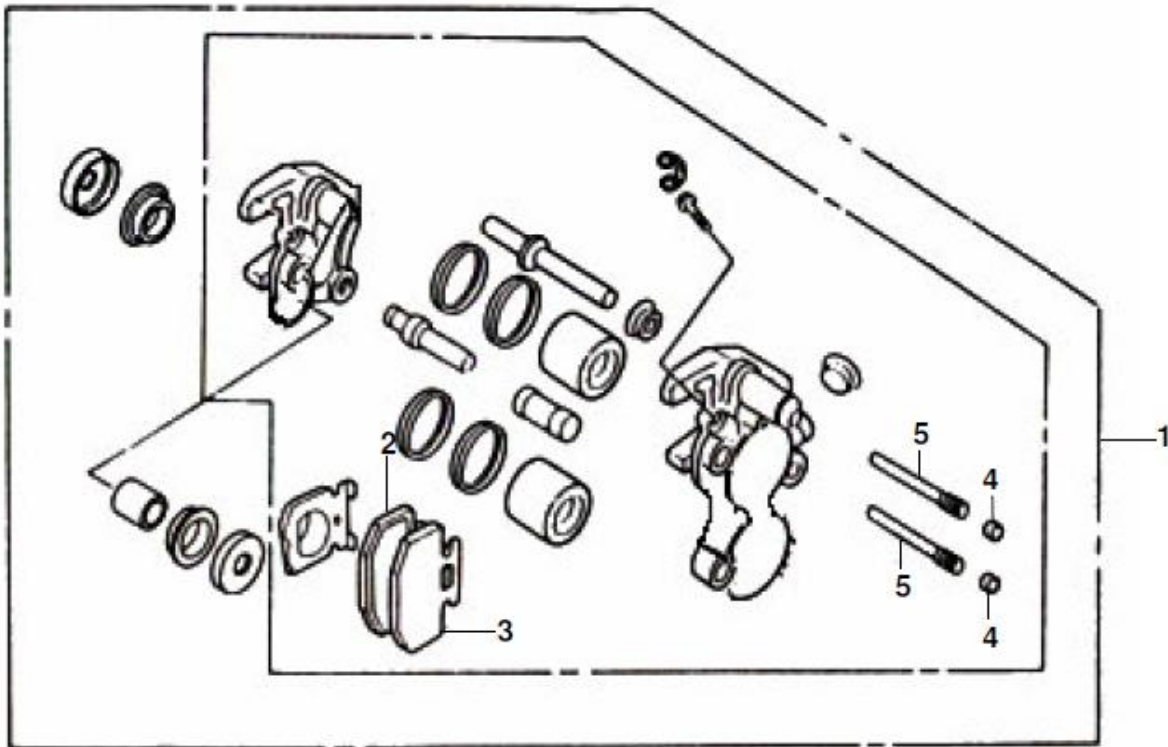
## FRONT BRAKE MASTER CYLINDER



No.	Part No.	Denomination	Quantity
1	244808	FR. stop SW. ASSY	1
2	244809	FR. brake hose ASSY	1
3	244810	FR. master cylinder ASSY	1
4	244801	R. Steering handle lever	1
5	244195	Oil bolt 10X22	2
6	244196	Oil bolt washer	4
7	244197	Flange bolt M6X22	2

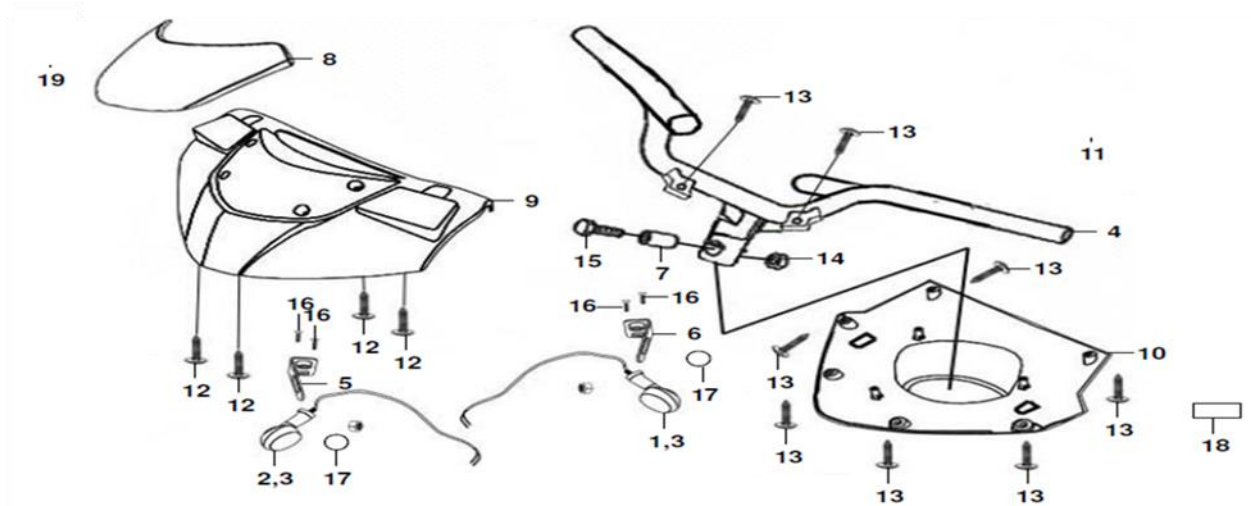


## FRONT CALIPER ASSY



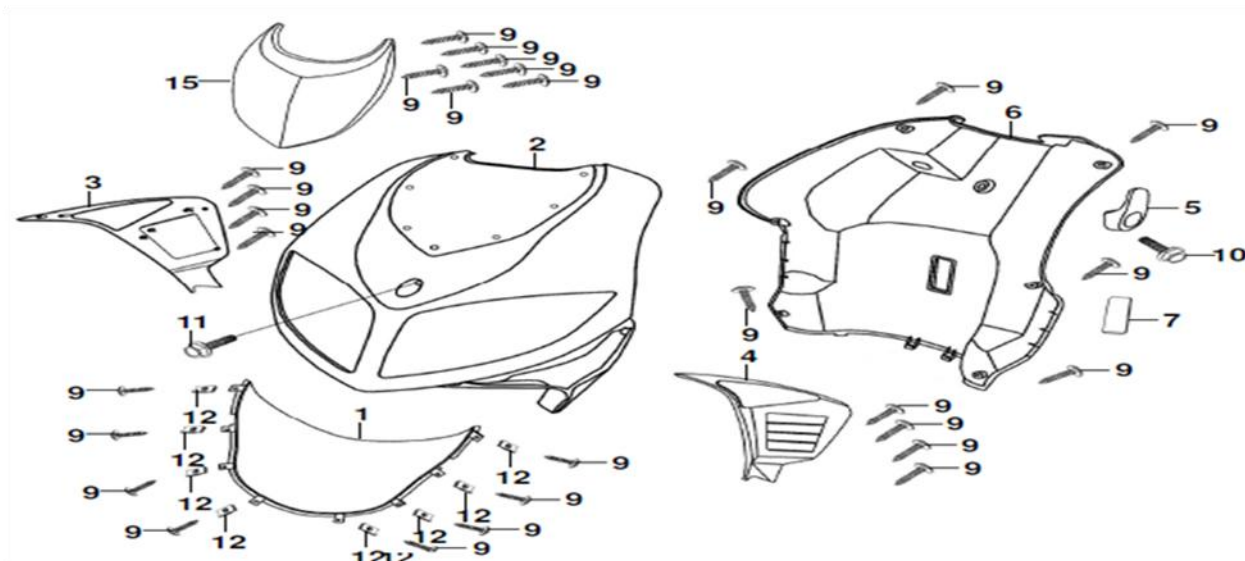
No.	Part No.	Denomination	Quantity
1	244811	Caliper ASSY	1
2	244812	Pad A COMP	1
3	244813	Pad B COMP	1
4	244195	Oil bolt 10X22	2
5	244814	Flange bolt M8x30	2

## HANDLE PIPE, HANDLE COVER



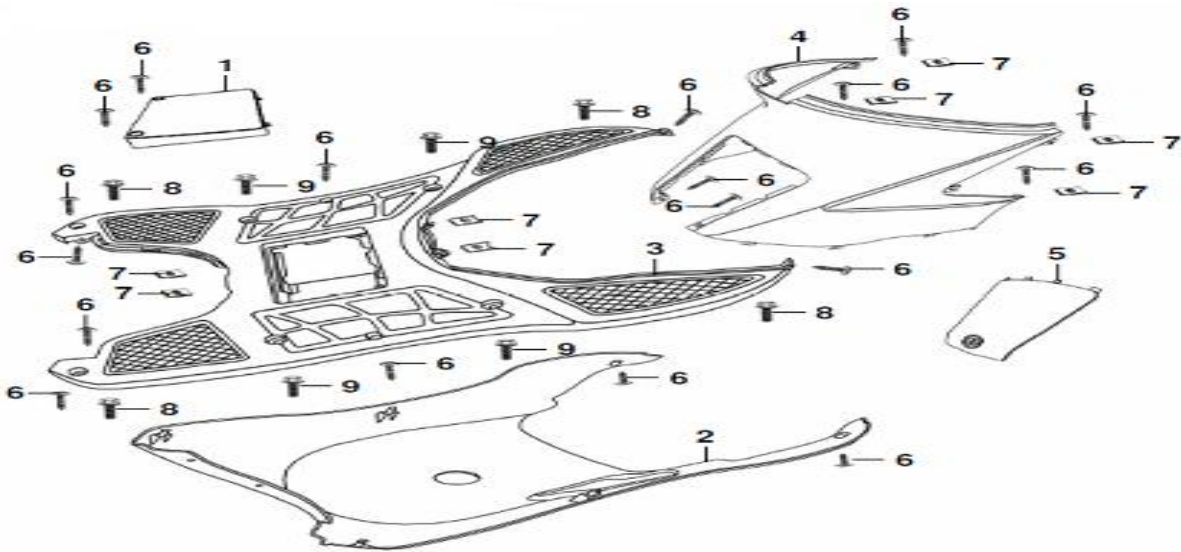
No.	Part No.	Denomination	Quantity
1	244781	L. FR. winker ASS'Y	1
2	244782	R. FR. winker ASS'Y	1
3	244785	Winker light bulb	2
4	244815	STRG. handle	1
5	244816	FR R winker STAY	1
6	244817	FR L winker STAY	1
7	244818	Handle setting collar	1
8	244819	Meter visor COMP	1
9	244820	FR. up handle cover	1
10	244821	FR. under handle cover	1
12	244823	Tappeting screw 3.8X10	4
13	244786	Tapping screw 4.2X12	8
14	244190	U. flange nut 10MM	1
15	244824	Flange bolt 10X45	1
16	244825	Flange bolt 6X16	4
17	244826	FR. R/L winker plate	2

## FRONT COVER, FRONT INNER BOX



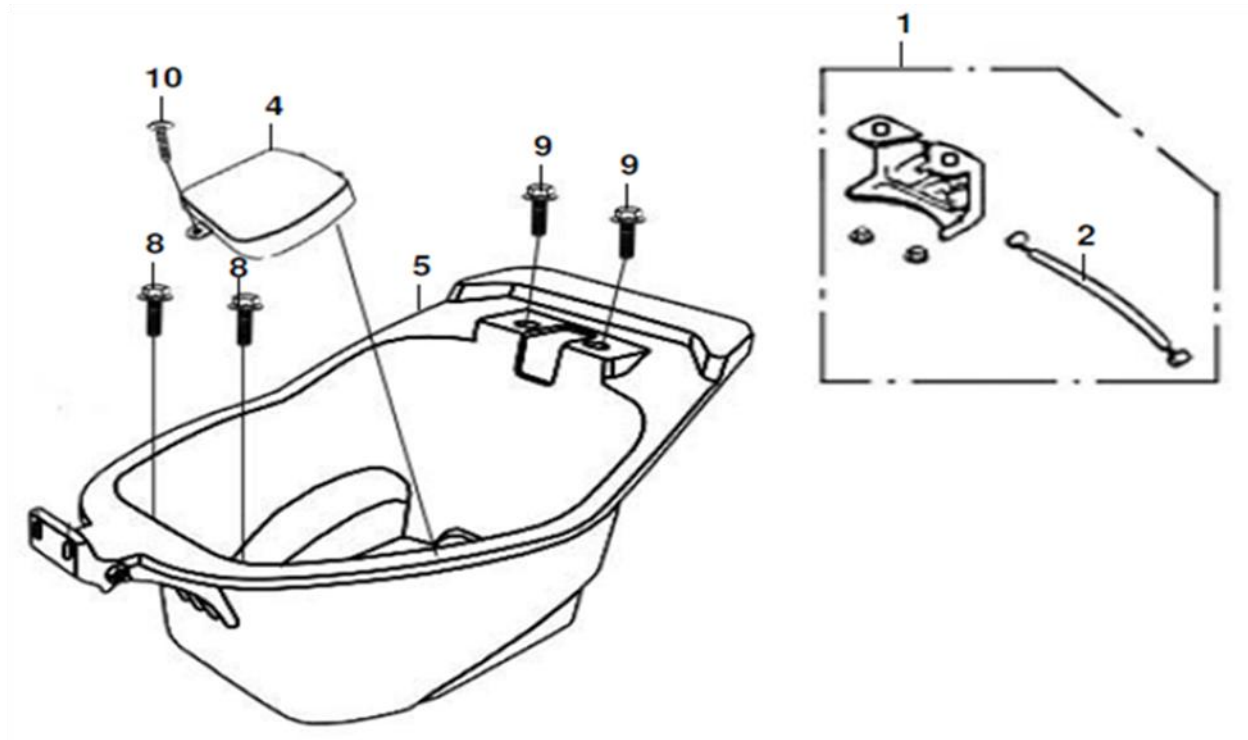
No.	Part No.	Denomination	Quantity
1	244829	FR. under fender	1
2	244830	FR. cover	1
3	244831	FR. R winker cover	1
4	244832	FR. L winker cover	1
5	244833	Head piece stay	1
6	244834	Inner box	1
9	244786	Tapping screw 4.2X12	29
10	244836	Bolt M6X25	1
11	244233	Bolt 6X16	1
12	244837	Spring nut 4MM	8
15	244840	FR. cover emblem	1

## FLOOR PANEL, CENTER COVER



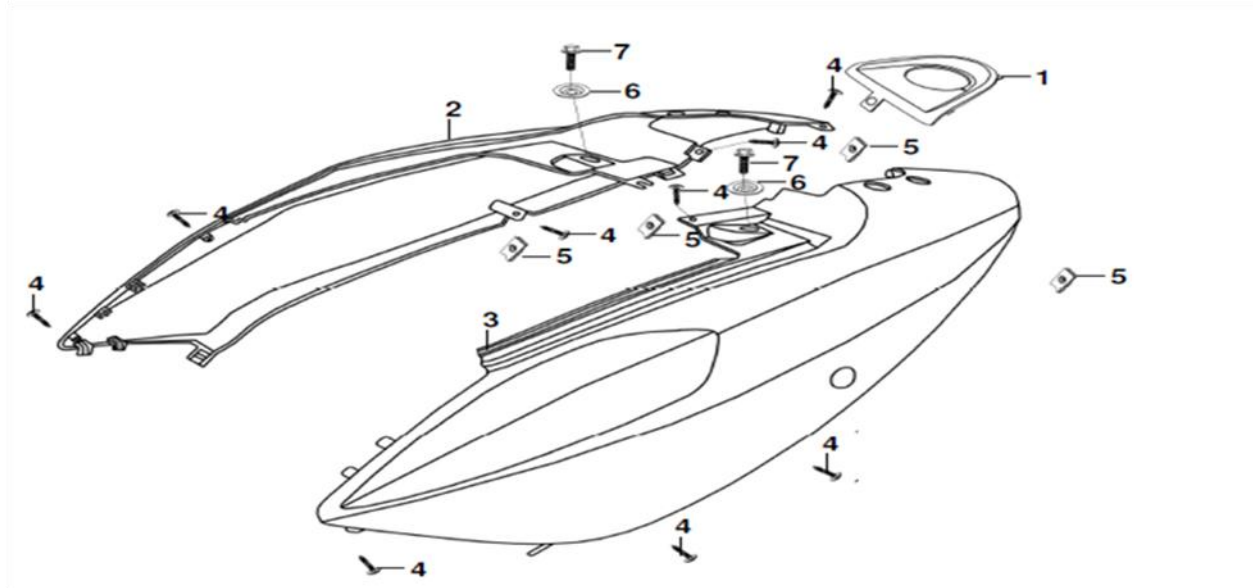
No.	Part No.	Denomination	Quantity
1	244841	Battery cover	1
2	244842	Under cover	1
3	244843	Floor panel	1
4	244844	Center cover A	1
5	244845	Center cover B	1
6	244786	Tapping screw 4.2X12	18
7	244837	Spring nut 4MM	8
8	244846	Flange blot M6x12	4
9	244847	Flange bolt 6X16	4

## REAR GRIP



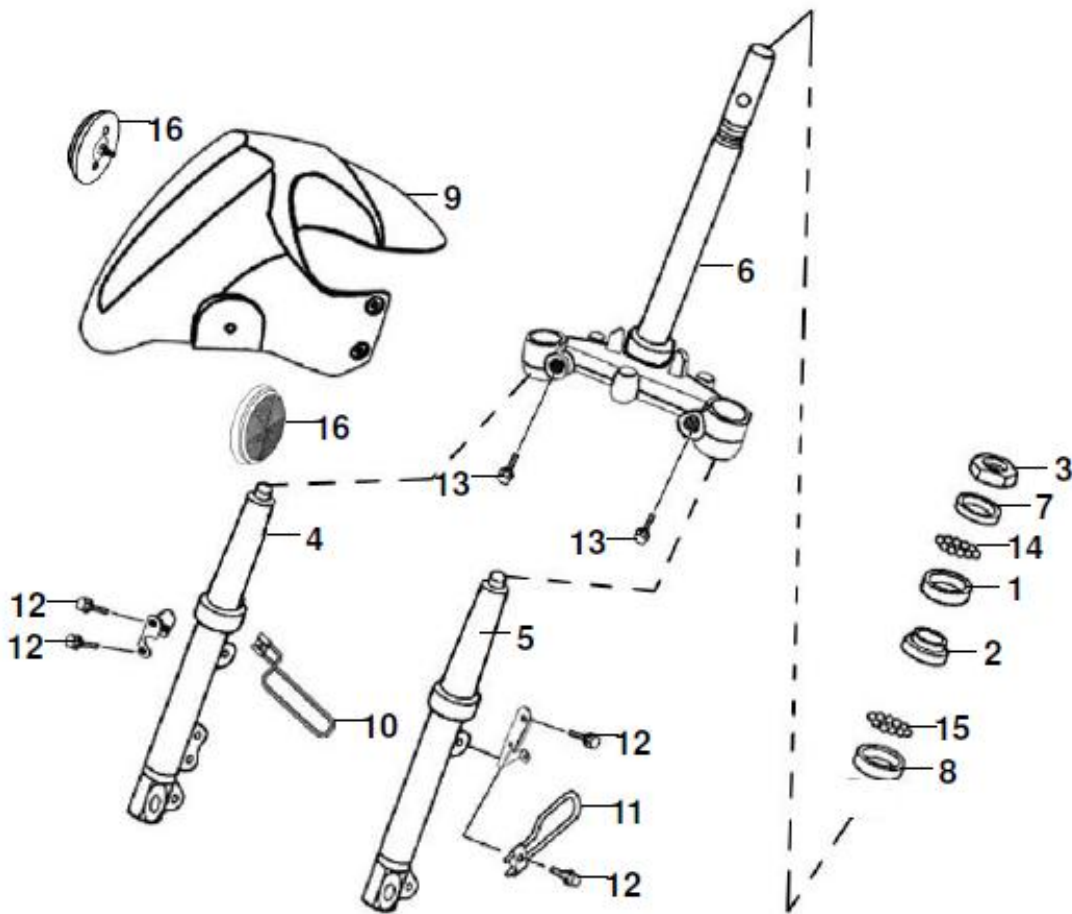
No.	Part No.	Denomination	Quantity
1	244849	Seat catch	1
2	244850	Seat lock cable	1
4	244852	CARB. main cover	1
5	244853	FR. up handle cover stripe	1
8	244855	Flange bolt 6X14	2
9	244846	Flange blot M6x12	2
10	244786	Tapping screw 4.2X12	1

## REAR BODY COVER



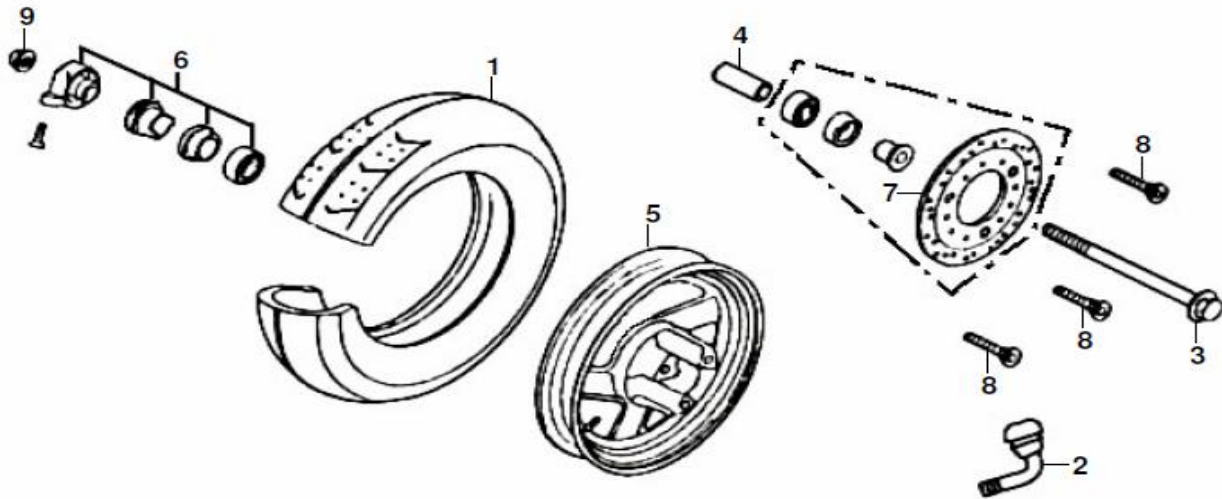
No.	Part No.	Denomination	Quantity
1	244856	Fuel tank cap cover	1
2	244857	R. body cover	1
3	244858	L. body cover	1
4	244786	Tapping screw 4.2X12	9
5	244837	Spring nut 4MM	4
6	244859	Pan washer	2
7	244846	Flange blot M6x12	2
*	237778	Decals Nitro 125 CPL	1

## FRONT FORK STEERING STEM, FRONT CUSHION



No.	Part No.	Denomination	Quantity
1	244862	STRG.up ball race	1
2	244863	Race STRG.bot ball	1
3	244864	STRG. stem lock nut	1
4	244865	R.FR. cushion	1
5	244866	L.FR. cushion	1
6	244867	Streeing stem	1
7	244868	STRG. top cone	1
8	244869	Cone STRG. bottom	1
9	244870	FR. fender	1
10	244871	FR. fender plate A	1
11	244872	FR. fender plate B	1
12	244846	Flange blot M6x12	4
13	237725	Flange bolt M12X25	2
14	244874	Steel ball 5#	1
15	244875	Steel ball 5#	1
16	244876	Side reflex reflector	2

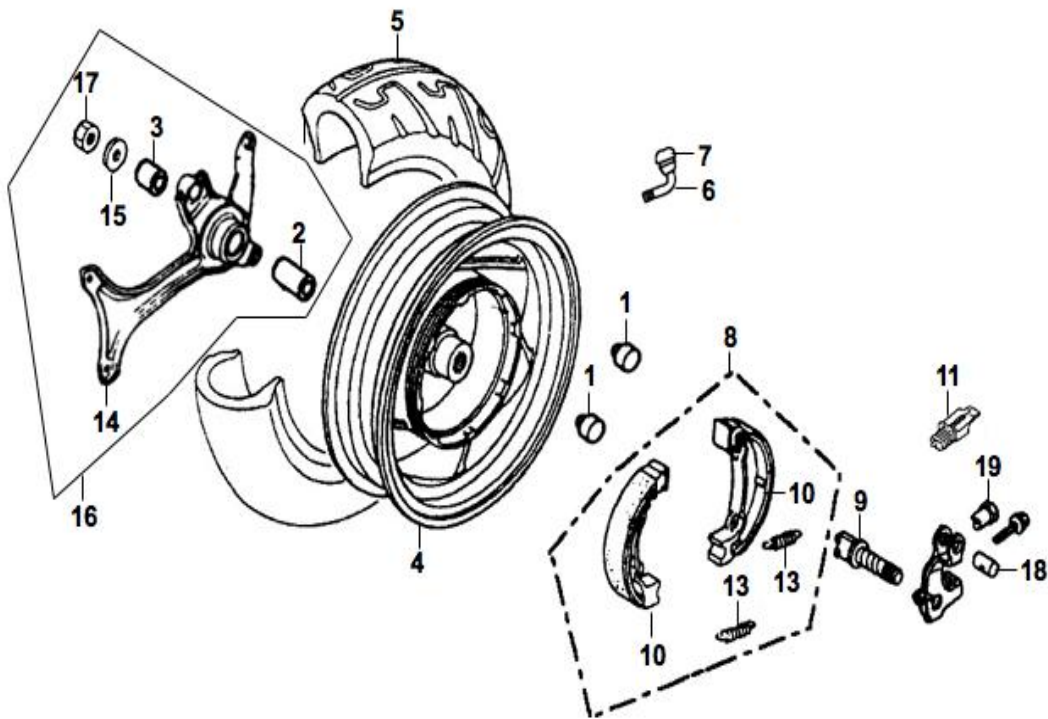
## FRONT WHEEL



No.	Part No.	Denomination	Quantity
1	244877	RR. Tire ASSY	1
2	244878	Rim valve	1
3	244879	FR. wheel axle M12x225	1
4	244880	FR. wheel side collar	1
5	244881	FR. wheel cast	1
6	244882	Speedometer gear box ASSY	1
7	244883	FR. brake disk	1
8	244884	FR. disk bolt M8x22	3
9	244885	U nut M12x1.25	1

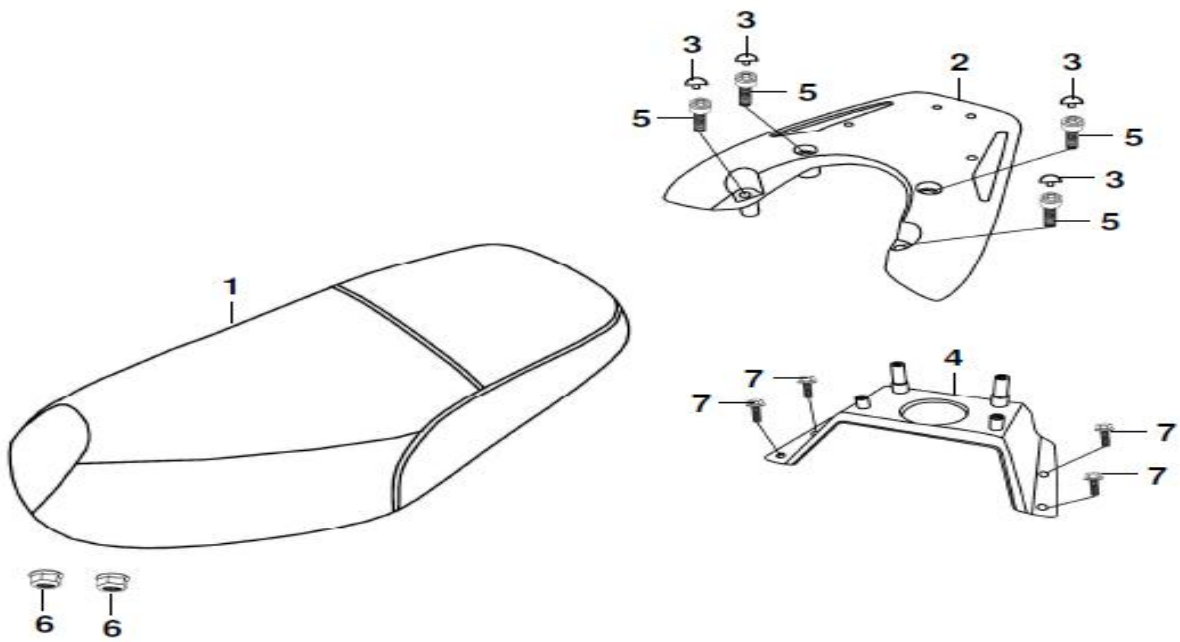


## REAR WHEEL



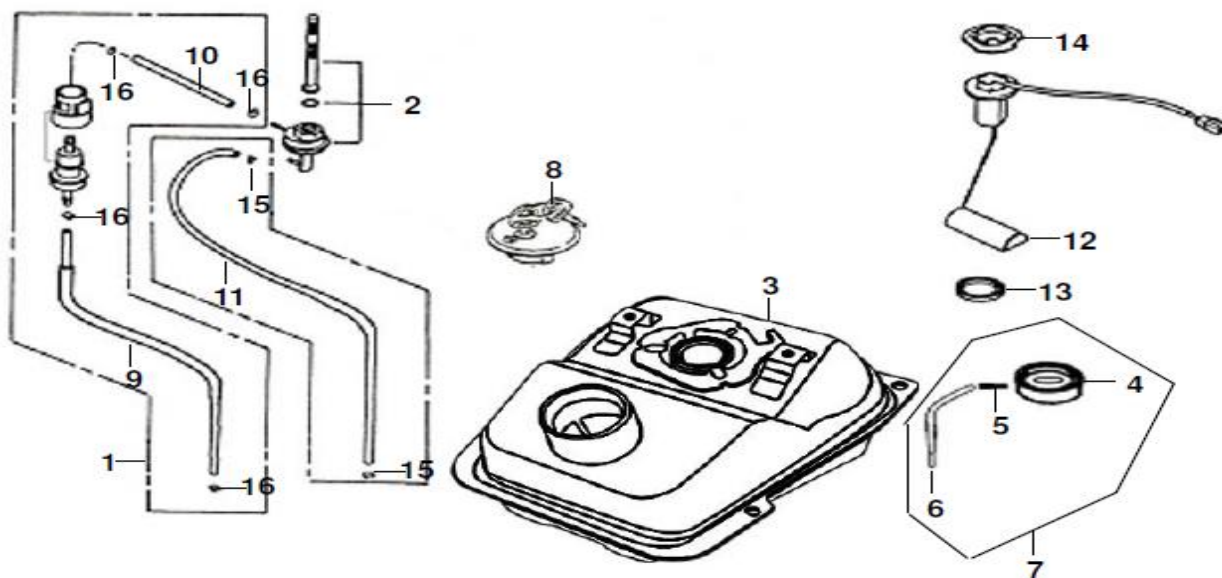
No.	Part No.	Denomination	Quantity
1	237726	Spring guide rubber	2
2	237727	RR. axle a collar	1
3	237728	RR. axle side collar	1
4	237729	RR. wheel cast	1
5	244877	RR. Tire ASSY	1
6	244878	Rim valve	1
7	244887	Valve rim cap	1
8	237730	RR. Brake shoe ASSY	1
9	237731	RR. brake arm ASSY	1
10	244889	Valve rim cap	1
11	237708	RR. brake arm cover	1
13	237732	Brake shoe spring	2
14	237733	RR. Fork	1
15	237734	Oil clip	1
16	237735	RR. fork ASSY	1
17	244891	U nut M16x1.5	1

## SEAT REAR GRIP



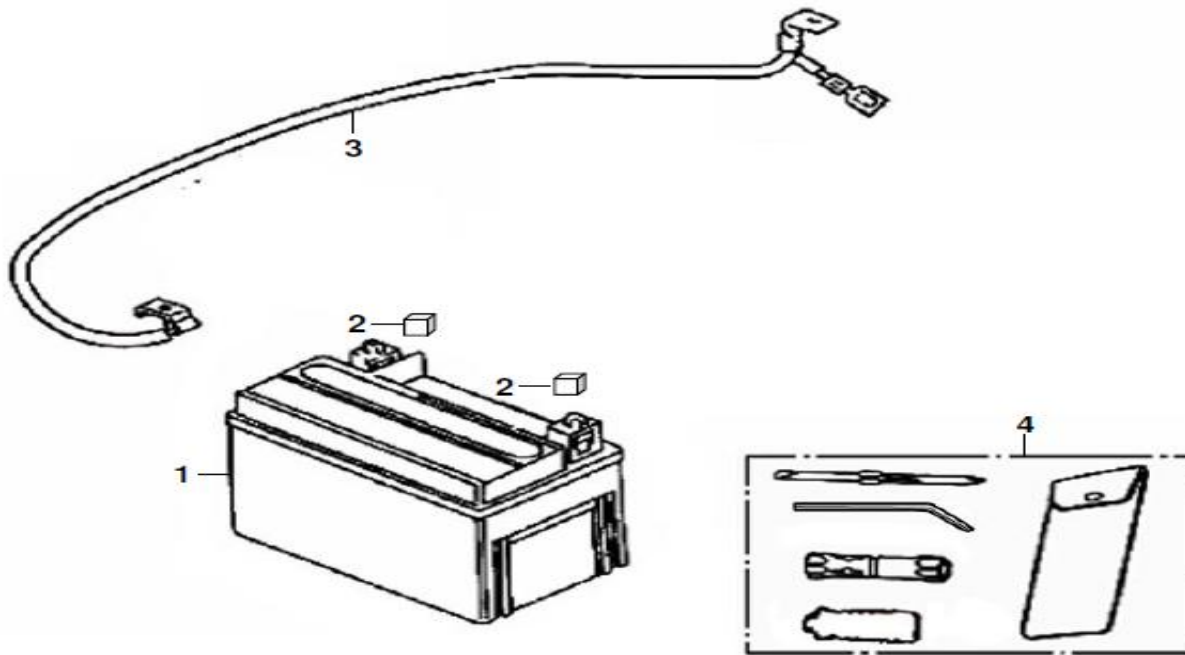
No.	Part No.	Denomination	Quantity
1	244893	Double seat	1
2	244894	RR. carrier	1
3	244895	Bolt cover	4
4	244896	L. body cover stripe	1
5	244897	Socket bolt 8X40	4
6	244235	Flange nut M6	2
7	244846	Flange blot M6x12	4

## FUEL TANK



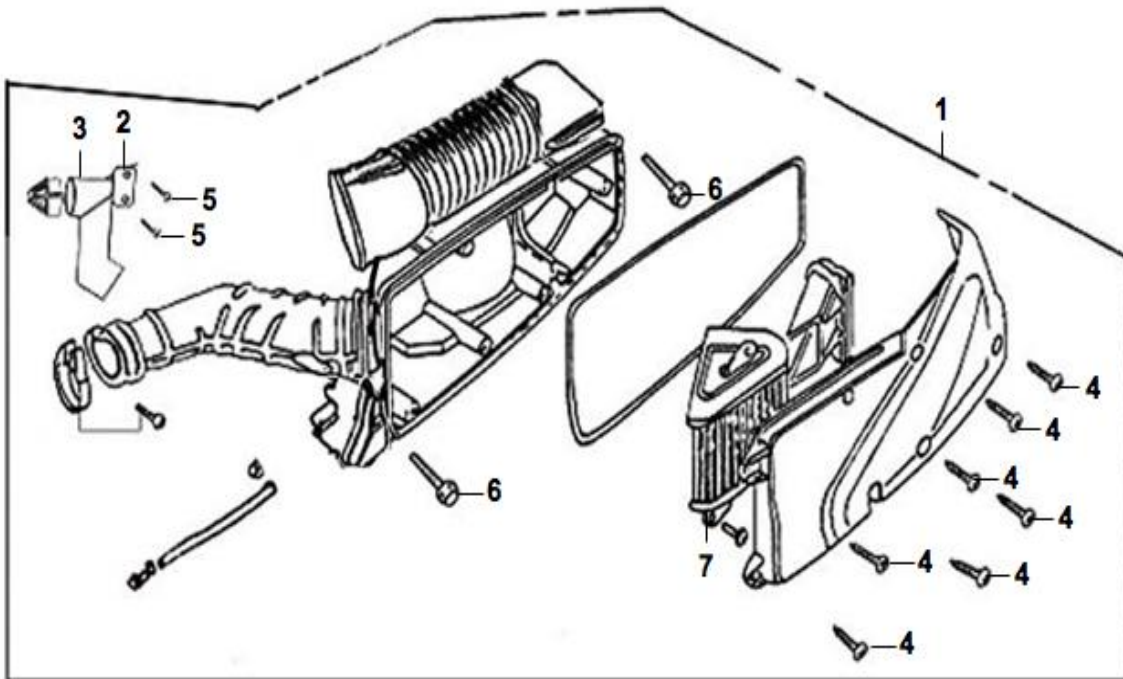
No.	Part No.	Denomination	Quantity
1	244898	Fuel strainer ASSY	1
2	244899	Fuel cock ASSY	1
3	244900	Fuel tank COMP	1
4	244901	Fuel guide rubber	1
5	244902	Fuel Waster tube joint	1
6	244903	Waster fuel tube	1
7	244904	Fuel guide rubber ASSY	1
8	244905	Fuel filler cap COMP	1
9	244906	Fuel tube (400MM)	1
10	244907	Fuel tube (170MM)	1
11	244908	Vacuum tube	1
12	244909	Fuel unit	1
13	244334	Base packing	1
14	244335	Ret fuel unit	1
15	244336	Tube clip B7	2
16	244910	Tube clip B8	6

## BATTERY, TOOL BOX



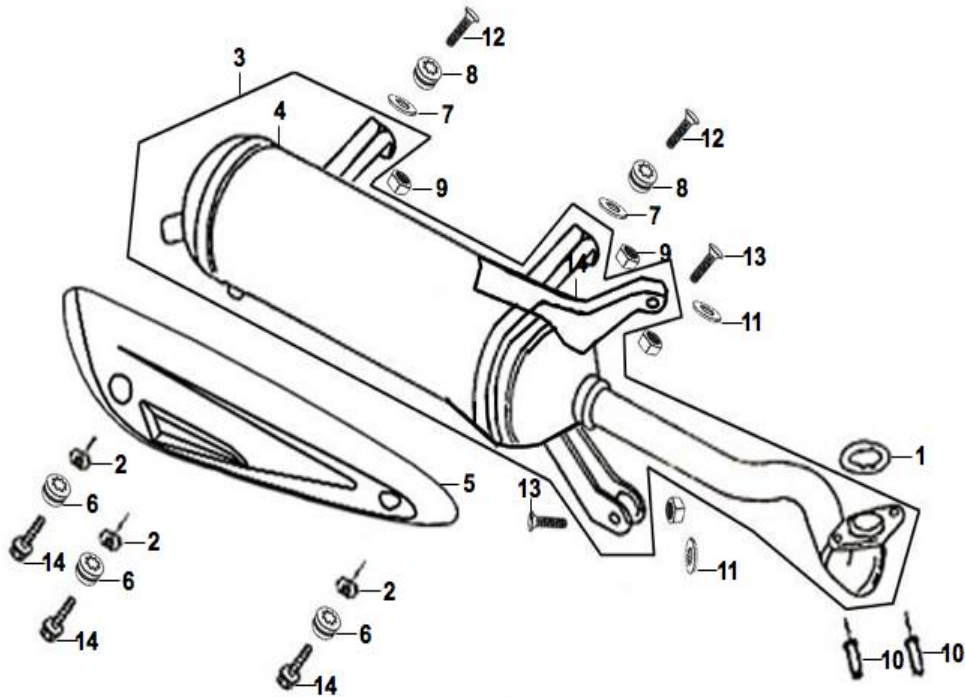
No.	Part No.	Denomination	Quantity
1	244338	Battery cpl	1
2	244911	Battery rubber	2
3	244912	Battery cable	1
4	237738	Cable	1
5	244913	Tool set	1

## AIR CLEANER



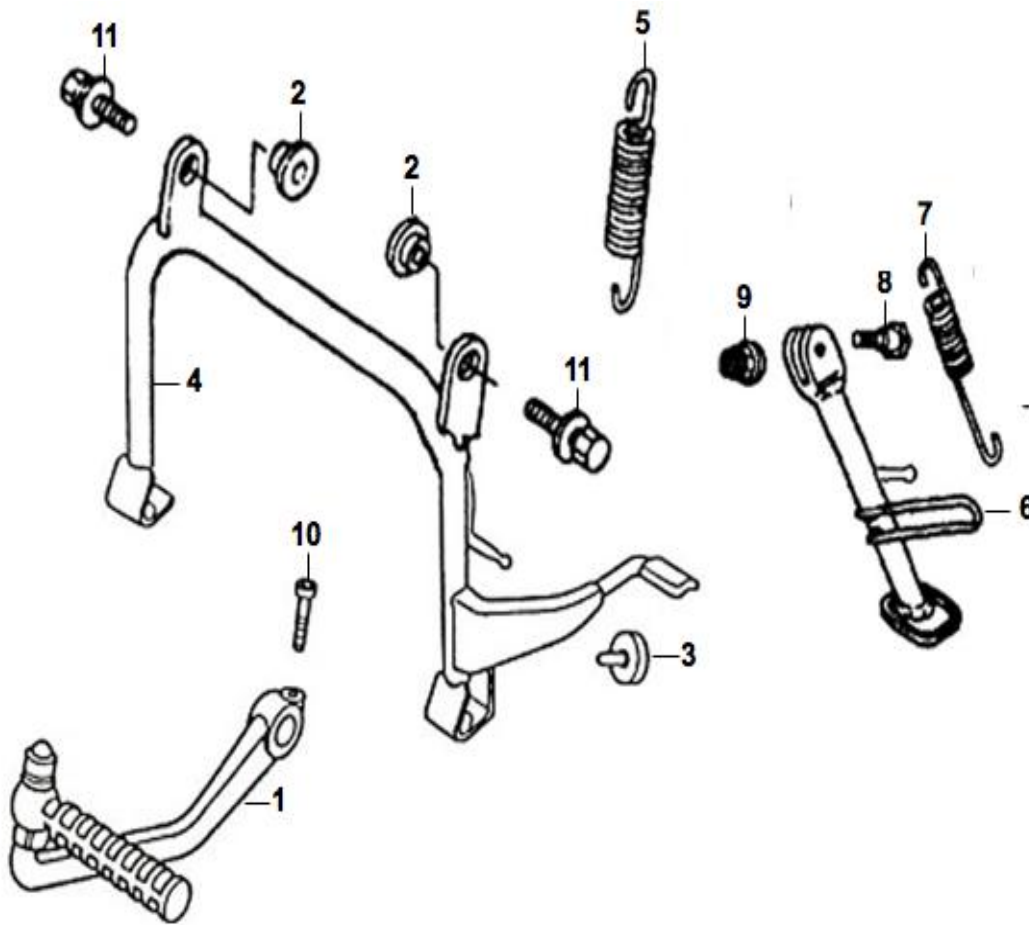
No.	Part No.	Denomination	Quantity
1	237739	Air cleaner ASSY	1
2	244918	AIR/C connecting tube	1
3	244919	AIR/C connecting tube cover	1
4	237743	Screw 5*16	7
7	237740	AIR/C element COMP.	1
*	237741	AIR/C cover seal	1
*	237742	AIR/C case	1
*	237744	AIR/C connecting tube	1

## EXHAUST MUFFLER



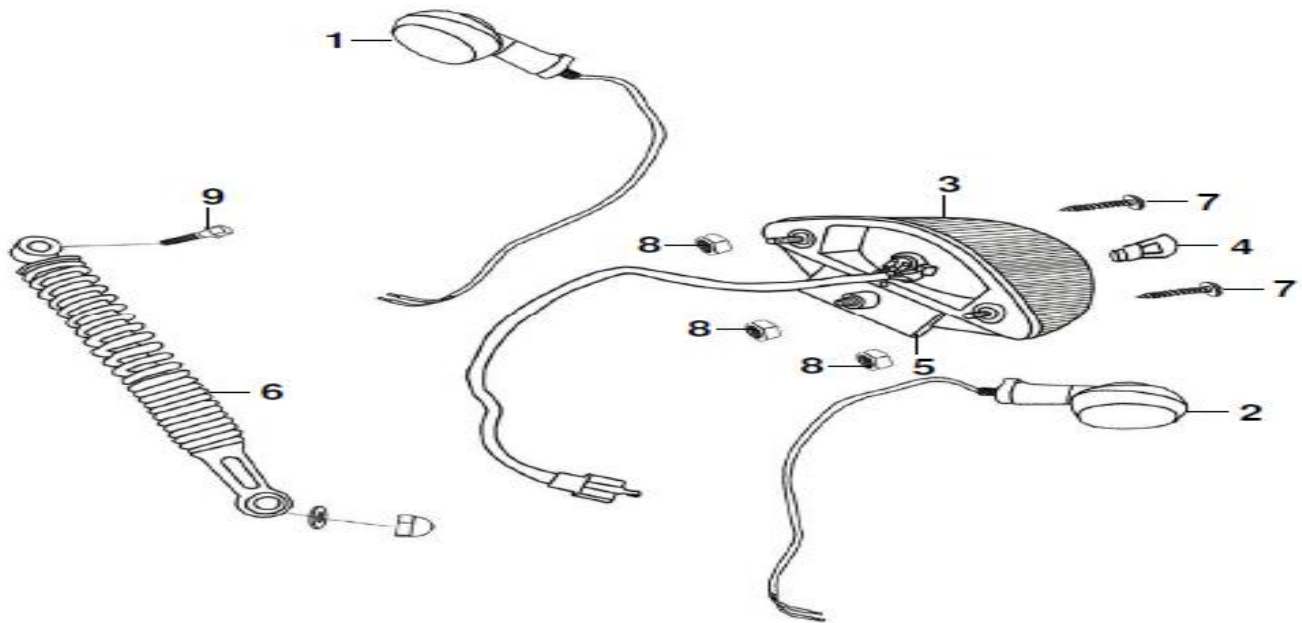
No.	Part No.	Denomination	Quantity
1	237745	AIR/C connecting tube	1
2	237746	Washer	3
3	237747	Eahaust muffler CPL	1
4	237748	Eahaust muffler	1
5	237749	Eahaust muffler cover	1
6	237750	EXH. muffler rubber	3
7	237751	Tube	2
8	244929	Rubber tube	2
9	237752	Flange nut M6	2
10	237753	HEX. cap nut M7	2
11	237754	Washer	2
12	244846	Flange blot M6x12	2
13	237755	AIR/C connecting tube	2
14	237756	SH. flange bolt 6x18	3

## MAIN STAND, KICK STARTER ARM



No.	Part No.	Denomination	Quantity
1	237757	Kick starter arm ASSY	1
2	237758	Main stand collar	2
3	237759	Stand stopper rubber	1
4	237760	Main stand ASSY	1
5	237761	Main stand spring	1
6	237762	Main stand spring B	1
7	244941	Side stand COMP	1
8	237763	Side stand spring	1
9	237764	Side stand spring A	1
10	237765	Side stand spring link plate	1
11	237766	Side stand pivot screw M8x30	1
12	244943	Flange U bolt M8	1
13	237767	Flange bolt M6x25	1
14	237768	Flange bolt M10x25	2

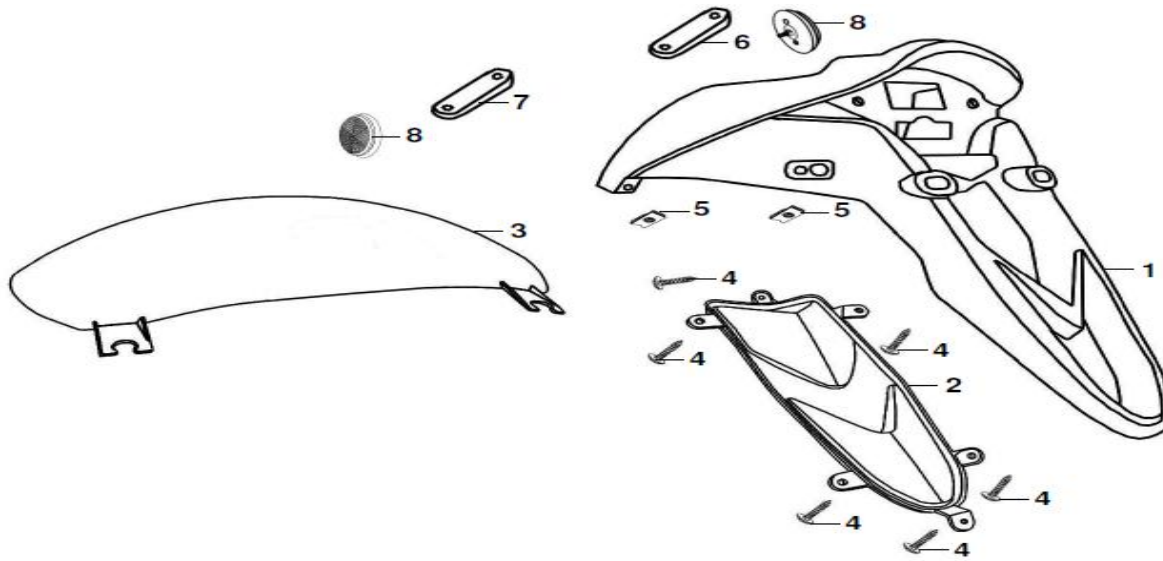
## TAIL LIGHT, RR. CUSHION



No.	Part No.	Denomination	Quantity
1	244947	FR.R.winker	1
2	244948	FR.L.winker	1
3	244949	Tail light ASSY	1
4	244950	Tail light bulb	1
5	244951	RR. reflex reflector	1
6	244952	RR.cushion	1
7	244953	Screw 4.2X34	2
8	244235	Flange nut M6	3
9	244954	Hex bolt M10X40	1

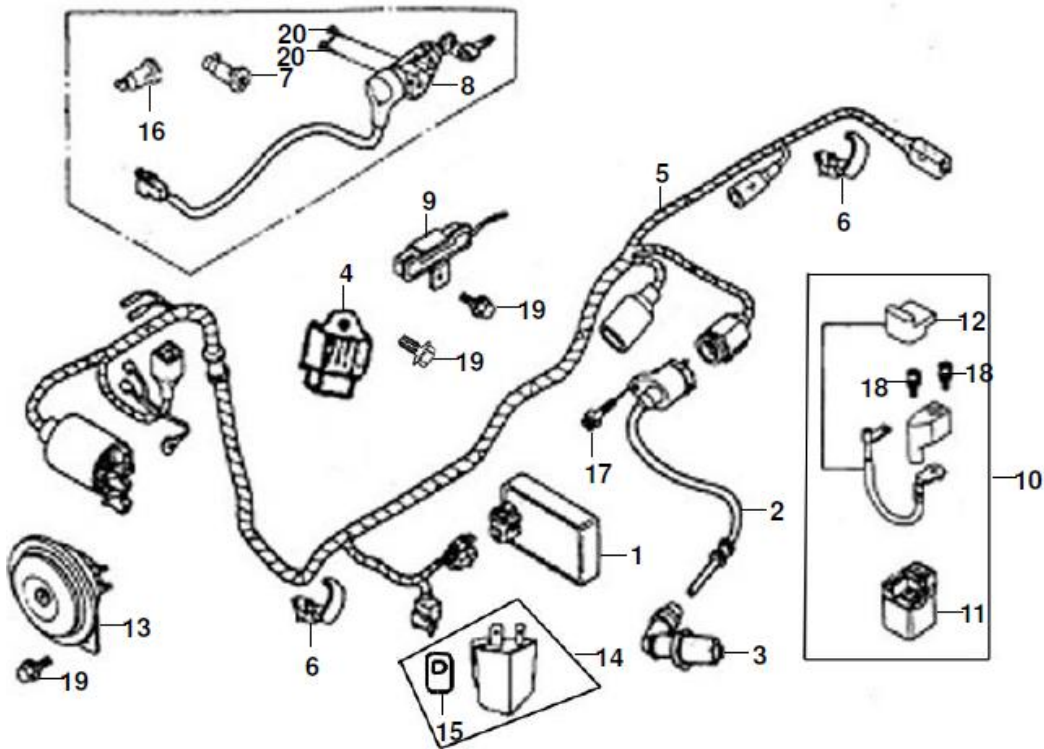


## REAR FENDER, REAR INNER FENDER



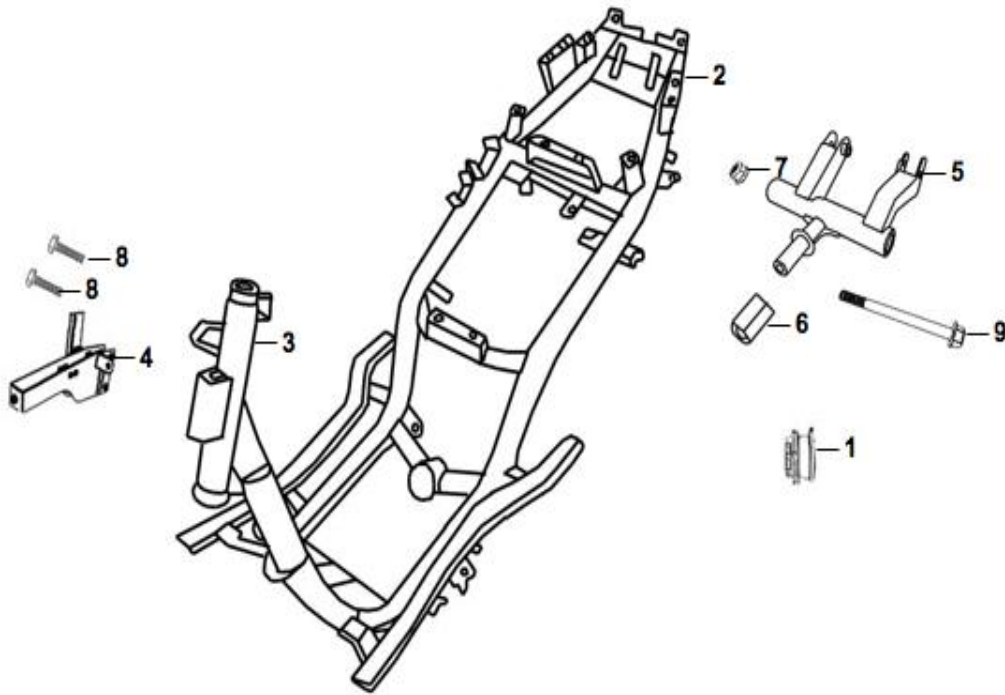
No.	Part No.	Denomination	Quantity
1	244955	RR.fender A	1
2	244956	RR.fender B	1
3	244957	RR.inner fender COMP	1
4	244786	Tapping screw 4.2X12	6
5	244837	Spring nut 4MM	2
6	244958	RR. R reflector stay	1
7	244959	RR. L reflector stay	1
8	244960	RR. side reflector reflctor	2

## WIRE HARNESS



No.	Part No.	Denomination	Quantity
1	244961	C.D.I. COMP	1
2	244962	IGN Coil ASSY	1
3	244963	Noise suppressor cap ASSY	1
4	244390	Flange bolt M10X184	1
5	237771	Wire harness	1
6	244965	Band wire	2
7	244966	Key set	1
8	244967	Main. SW.COMP	1
9	244968	Resistor COMP	1
10	244969	MAG.SW.COMP	1
11	244970	Start magnetic switch	1
12	244971	MAG.SW. shock rubber	1
13	244972	Horn COMP	1
14	244973	Winker relay ASSY	1
15	244974	Winker relay suspension	1
16	244975	Seat lock	1
17	244976	Washer screw M5x25	1
18	244235	Flange bolt M10X184	2
19	244846	Flange blot M6x12	3
20	244825	Flange bolt 6X16	2
*	237772	Flange bolt M8x12	1

## FRAME BODY,ENGINE HANGER



No.	Part No.	Denomination	Quantity
1	237773	L. cover duct ASSY	1
2	237774	Frame body COMP	1
3	237775	Head pipe COMP	1
4	244980	FR. cover stay	1
5	237776	ENG hanger	1
6	244425	Flange bolt M10X184	1
7	244190	Flange bolt M10X184	1
8	244983	Flange bolt 6X40	2
9	237777	Flange bolt M10X184	1



**TOMOS**



TOMOS D.O.O.  
MOTOINDUSTRIJA  
ŠMARSKA CESTA 4  
SLOVENIJA

TOMOS INC.  
202 BEECHTREE BLVD.  
GREENVILE, SC 29605  
USA

TOMOS NEDERLAND B.V.  
KWEK WEG 34 - 8161 PG EPE  
POSTBUS 172 - 8160 AD EPE  
NEDERLAND